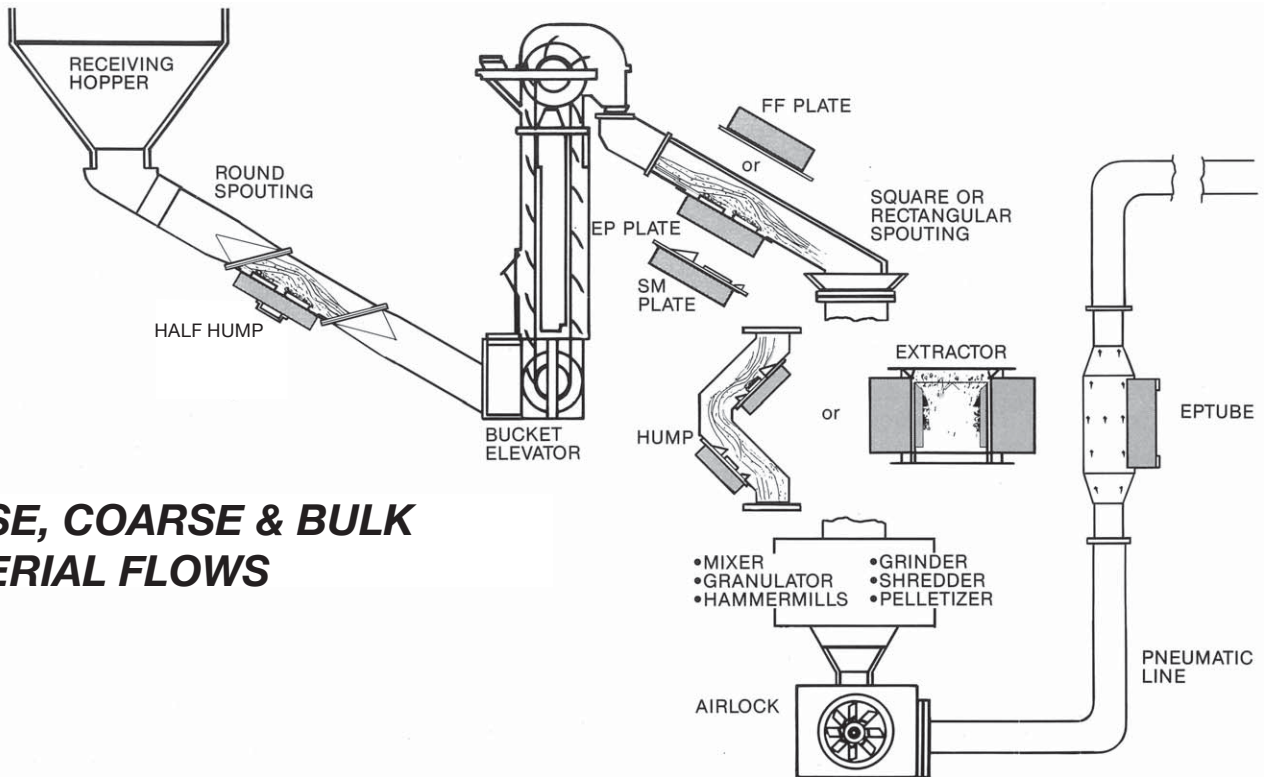
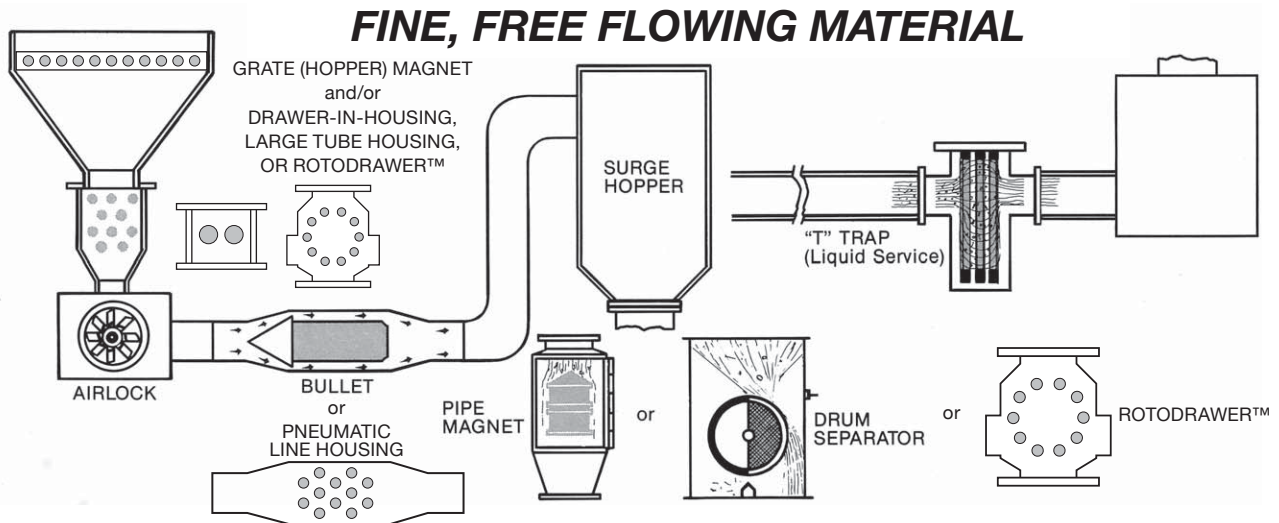




INDUSTRIAL MAGNETICS, INC. MAGNET LOCATION & SELECTION GUIDE



DENSE, COARSE & BULK MATERIAL FLOWS



FINE, FREE FLOWING MATERIAL

BELT CONVEYED PRODUCT

