

WARNING: STRONG MAGNET

USE CAUTION WHEN HANDLING THIS PRODUCT AROUND STEEL ITEMS

Permanent magnets are always “ON”. Use caution when handling these types of magnetic products. Magnets are designed to reach out and attract steel (all ferrous metal). Magnetic forces may suddenly attract ferrous metal or the magnet may suddenly be attracted to ferrous metal causing a pinch point with body parts potentially causing severe injuries.

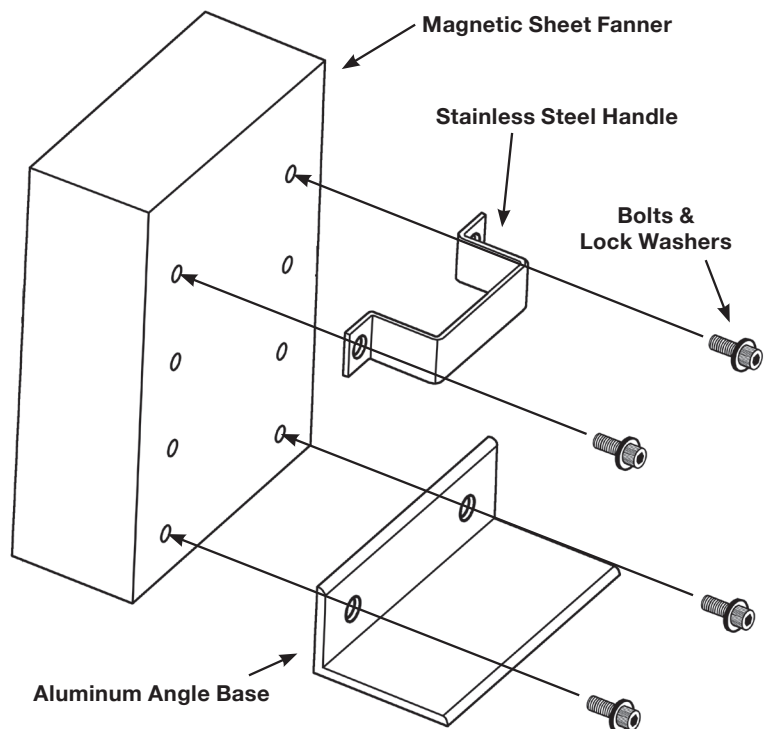
DO NOT place any part of the body, such as fingers, hands, etc, between the face of the magnet and any ferrous metal.

ALWAYS introduce the magnet to ferrous metal slowly, with caution and without humans present.

ALWAYS use caution when using ferrous metal tools around magnet.

PERMANENT MAGNETIC SHEET FANNER ASSEMBLY INSTRUCTIONS

1. Remove the sheet fanner and the bag of components from the box and place the fanner face down on a non-ferrous surface (aluminum, wood, concrete, etc...) with the tapped holes facing up.
2. Check to make sure all the components were included in the bag. The contents should include:
 - 1 Stainless Steel Handle
 - 1 Aluminum Angle Base
 - 4 Bolts and Lock Washers
3. Place the Aluminum Angle base over the bottom tapped holes in the Sheet Fanner that position the base so that its bottom flange is flush with the end of the fanner. Insert two Bolts with Lock Washers into the two holes of the base and tighten them into the tapped holes on the back of the fanner.
4. Place the Stainless Steel Handle over the tapped holes near the top or center of the fanner (if there are two sets of holes, the handle can be placed over either set). Insert the remaining Bolts with Lock Washers into the two holes of the handle and tighten



WARNING: STRONG MAGNET - USE CAUTION WHEN ASSEMBLING MAGNET WITH STEEL TOOLS AS SERIOUS INJURY MAY RESULT.