

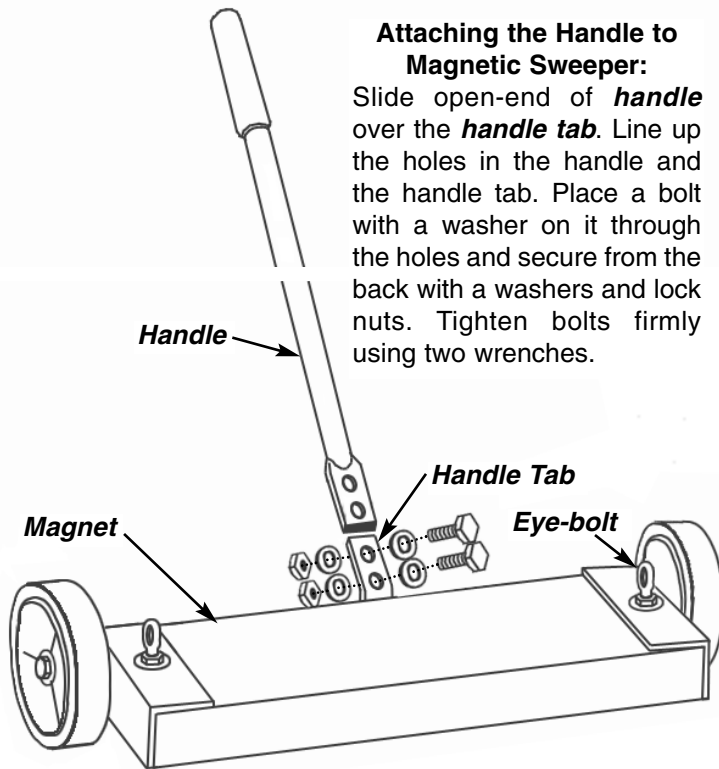
Floor Sweeper

(FS1200, FS2400 & FS3600)

Assembly Instructions

Attaching the Handle to Magnetic Sweeper:

Slide open-end of **handle** over the **handle tab**. Line up the holes in the handle and the handle tab. Place a bolt with a washer on it through the holes and secure from the back with a washers and lock nuts. Tighten bolts firmly using two wrenches.



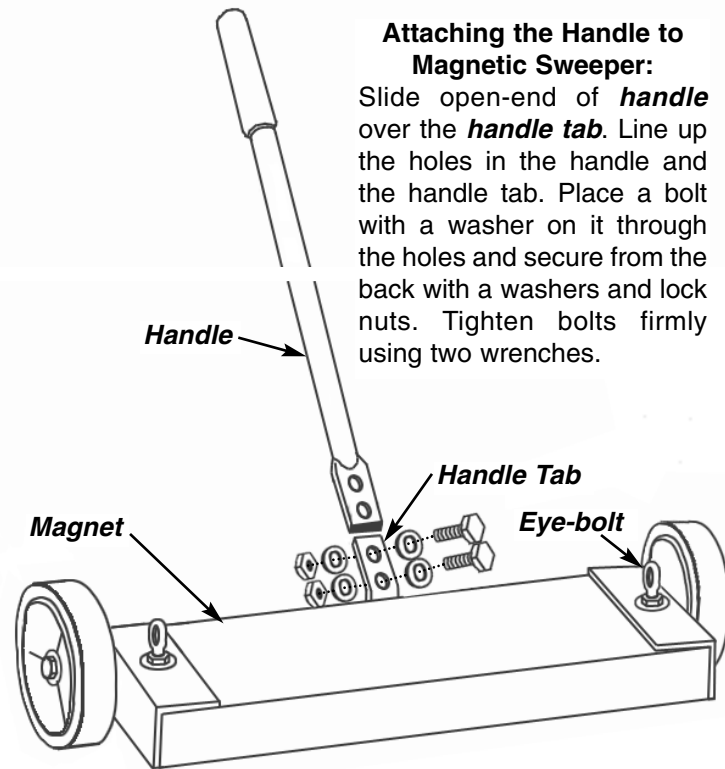
Floor Sweeper

(FS1200, FS2400 & FS3600)

Assembly Instructions

Attaching the Handle to Magnetic Sweeper:

Slide open-end of **handle** over the **handle tab**. Line up the holes in the handle and the handle tab. Place a bolt with a washer on it through the holes and secure from the back with a washers and lock nuts. Tighten bolts firmly using two wrenches.



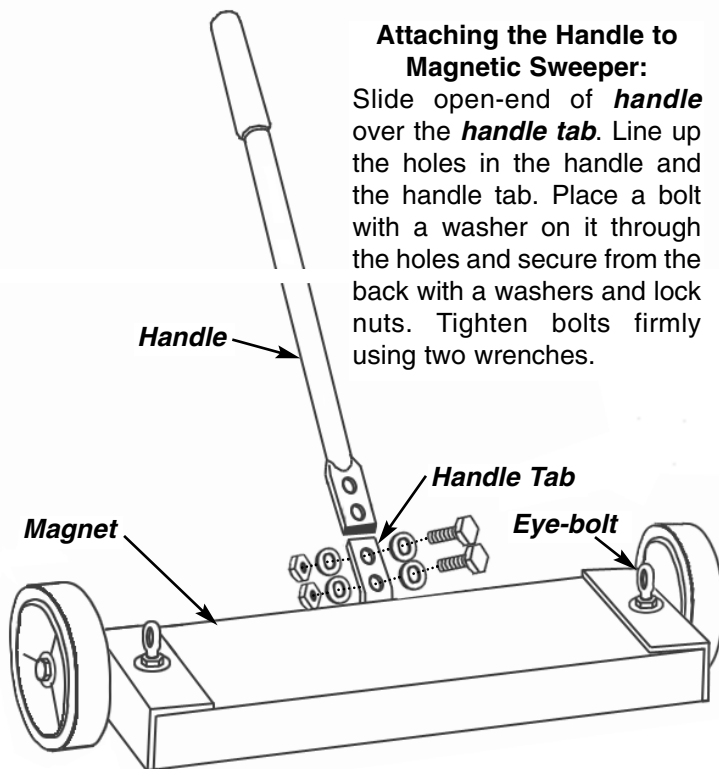
Floor Sweeper

(FS1200, FS2400 & FS3600)

Assembly Instructions

Attaching the Handle to Magnetic Sweeper:

Slide open-end of **handle** over the **handle tab**. Line up the holes in the handle and the handle tab. Place a bolt with a washer on it through the holes and secure from the back with a washers and lock nuts. Tighten bolts firmly using two wrenches.



Floor Sweeper

(FS1200, FS2400 & FS3600)

Assembly Instructions

Attaching the Handle to Magnetic Sweeper:

Slide open-end of **handle** over the **handle tab**. Line up the holes in the handle and the handle tab. Place a bolt with a washer on it through the holes and secure from the back with a washers and lock nuts. Tighten bolts firmly using two wrenches.

