

# ARM PULL ASSEMBLY INSTRUCTIONS

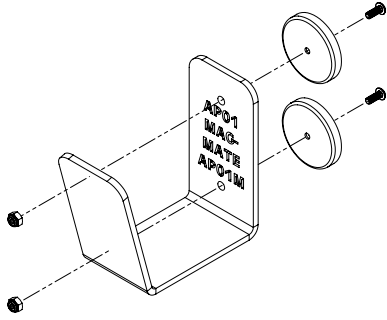
900517 (05/22)



INDUSTRIAL MAGNETICS

**MAG-MATE®**

INDUSTRIAL MAGNETICS, INC. • 231.582.3100 • WWW.MAGNETICS.COM



# ARM PULL ASSEMBLY INSTRUCTIONS

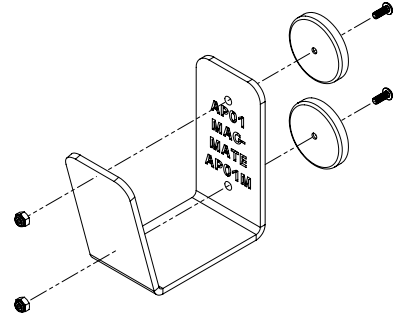
900517 (05/22)



INDUSTRIAL MAGNETICS

**MAG-MATE®**

INDUSTRIAL MAGNETICS, INC. • 231.582.3100 • WWW.MAGNETICS.COM



# ARM PULL ASSEMBLY INSTRUCTIONS

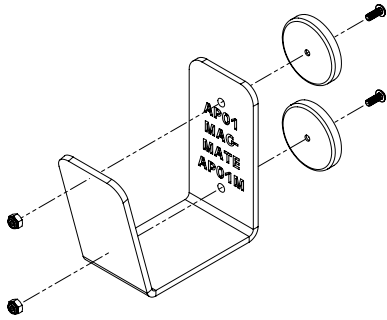
900517 (05/22)



INDUSTRIAL MAGNETICS

**MAG-MATE®**

INDUSTRIAL MAGNETICS, INC. • 231.582.3100 • WWW.MAGNETICS.COM



# ARM PULL ASSEMBLY INSTRUCTIONS

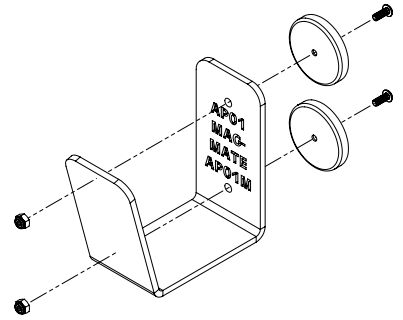
900517 (05/22)



INDUSTRIAL MAGNETICS

**MAG-MATE®**

INDUSTRIAL MAGNETICS, INC. • 231.582.3100 • WWW.MAGNETICS.COM



# ARM PULL ASSEMBLY INSTRUCTIONS

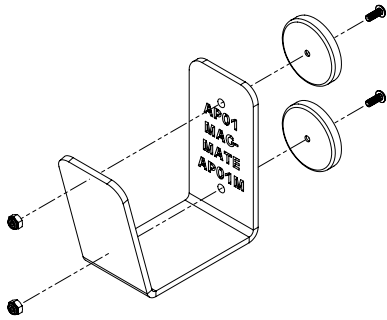
900517 (05/22)



INDUSTRIAL MAGNETICS

**MAG-MATE®**

INDUSTRIAL MAGNETICS, INC. • 231.582.3100 • WWW.MAGNETICS.COM



# ARM PULL ASSEMBLY INSTRUCTIONS

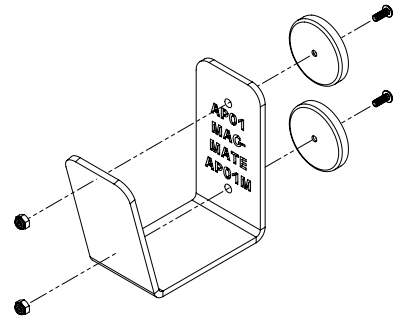
900517 (05/22)



INDUSTRIAL MAGNETICS

**MAG-MATE®**

INDUSTRIAL MAGNETICS, INC. • 231.582.3100 • WWW.MAGNETICS.COM



# ARM PULL ASSEMBLY INSTRUCTIONS

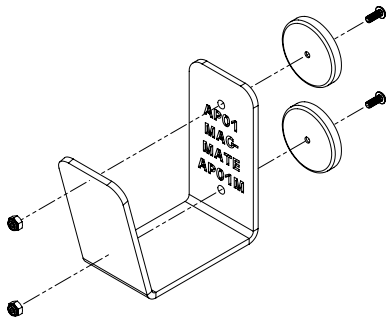
900517 (05/22)



INDUSTRIAL MAGNETICS

**MAG-MATE®**

INDUSTRIAL MAGNETICS, INC. • 231.582.3100 • WWW.MAGNETICS.COM



# ARM PULL ASSEMBLY INSTRUCTIONS

900517 (05/22)



INDUSTRIAL MAGNETICS

**MAG-MATE®**

INDUSTRIAL MAGNETICS, INC. • 231.582.3100 • WWW.MAGNETICS.COM

