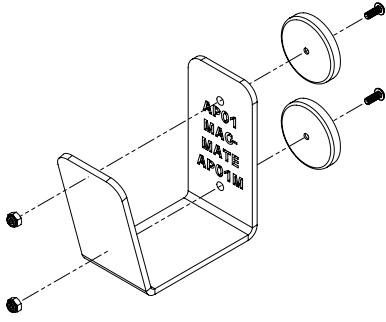


ARM PULL ASSEMBLY INSTRUCTIONS

900517.A (05/20)



Making Things Better®



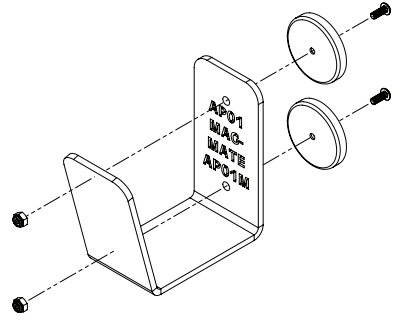
INDUSTRIAL MAGNETICS, INC. • 231.582.3100 • WWW.MAGNETICS.COM

ARM PULL ASSEMBLY INSTRUCTIONS

900517.A (05/20)



Making Things Better®



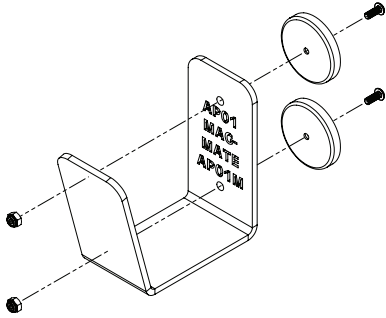
INDUSTRIAL MAGNETICS, INC. • 231.582.3100 • WWW.MAGNETICS.COM

ARM PULL ASSEMBLY INSTRUCTIONS

900517.A (05/20)



Making Things Better®



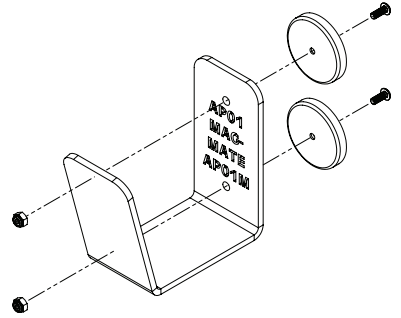
INDUSTRIAL MAGNETICS, INC. • 231.582.3100 • WWW.MAGNETICS.COM

ARM PULL ASSEMBLY INSTRUCTIONS

900517.A (05/20)



Making Things Better®



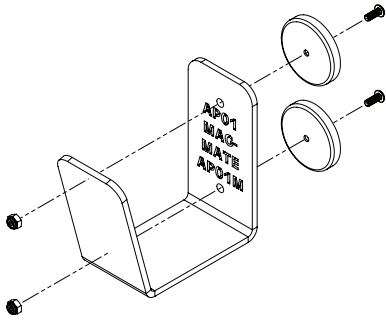
INDUSTRIAL MAGNETICS, INC. • 231.582.3100 • WWW.MAGNETICS.COM

ARM PULL ASSEMBLY INSTRUCTIONS

900517.A (05/20)



Making Things Better®



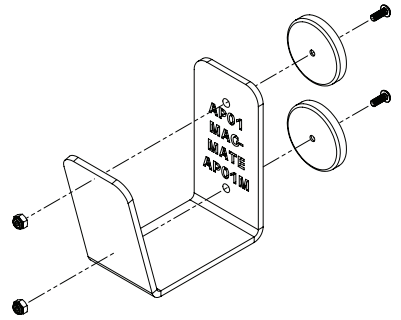
INDUSTRIAL MAGNETICS, INC. • 231.582.3100 • WWW.MAGNETICS.COM

ARM PULL ASSEMBLY INSTRUCTIONS

900517.A (05/20)



Making Things Better®



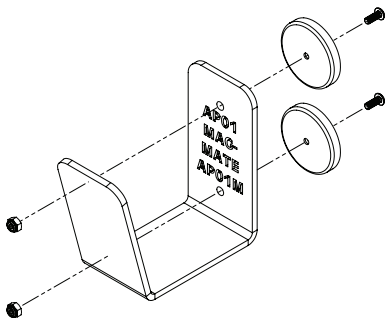
INDUSTRIAL MAGNETICS, INC. • 231.582.3100 • WWW.MAGNETICS.COM

ARM PULL ASSEMBLY INSTRUCTIONS

900517.A (05/20)



Making Things Better®



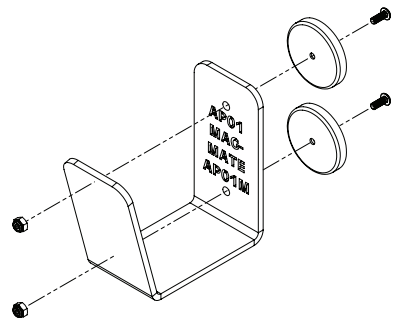
INDUSTRIAL MAGNETICS, INC. • 231.582.3100 • WWW.MAGNETICS.COM

ARM PULL ASSEMBLY INSTRUCTIONS

900517.A (05/20)



Making Things Better®



INDUSTRIAL MAGNETICS, INC. • 231.582.3100 • WWW.MAGNETICS.COM