

# FOOT PULL ASSEMBLY INSTRUCTIONS

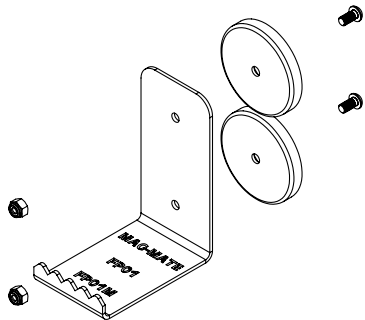
900516 (05/22)



INDUSTRIAL MAGNETICS



INDUSTRIAL MAGNETICS, INC. • 231.582.3100 • WWW.MAGNETICS.COM



# FOOT PULL ASSEMBLY INSTRUCTIONS

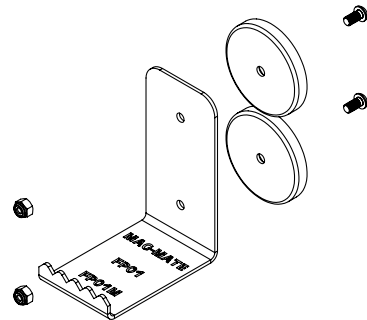
900516 (05/22)



INDUSTRIAL MAGNETICS



INDUSTRIAL MAGNETICS, INC. • 231.582.3100 • WWW.MAGNETICS.COM



# FOOT PULL ASSEMBLY INSTRUCTIONS

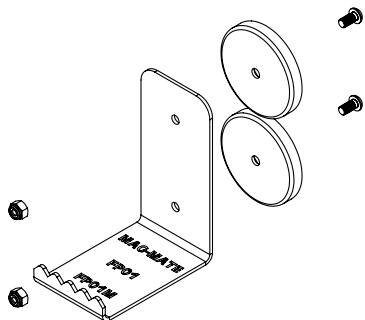
900516 (05/22)



INDUSTRIAL MAGNETICS



INDUSTRIAL MAGNETICS, INC. • 231.582.3100 • WWW.MAGNETICS.COM



# FOOT PULL ASSEMBLY INSTRUCTIONS

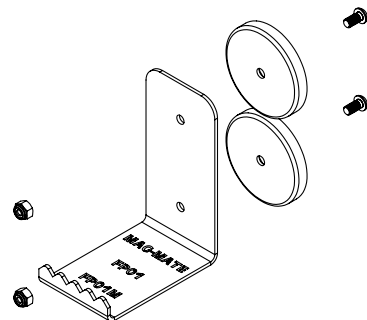
900516 (05/22)



INDUSTRIAL MAGNETICS



INDUSTRIAL MAGNETICS, INC. • 231.582.3100 • WWW.MAGNETICS.COM



# FOOT PULL ASSEMBLY INSTRUCTIONS

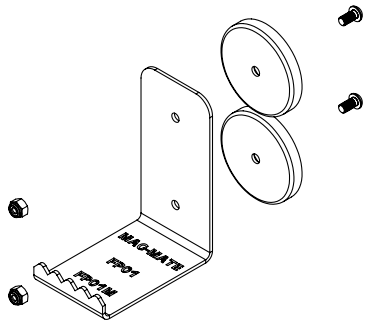
900516 (05/22)



INDUSTRIAL MAGNETICS



INDUSTRIAL MAGNETICS, INC. • 231.582.3100 • WWW.MAGNETICS.COM



# FOOT PULL ASSEMBLY INSTRUCTIONS

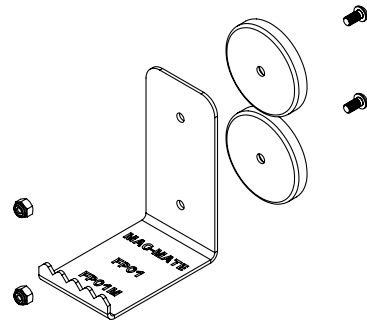
900516 (05/22)



INDUSTRIAL MAGNETICS



INDUSTRIAL MAGNETICS, INC. • 231.582.3100 • WWW.MAGNETICS.COM



# FOOT PULL ASSEMBLY INSTRUCTIONS

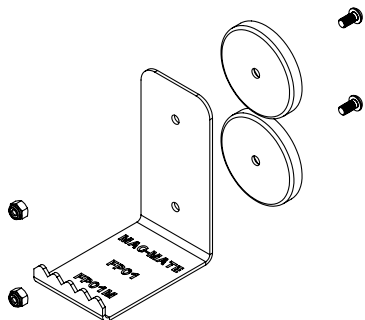
900516 (05/22)



INDUSTRIAL MAGNETICS



INDUSTRIAL MAGNETICS, INC. • 231.582.3100 • WWW.MAGNETICS.COM



# FOOT PULL ASSEMBLY INSTRUCTIONS

900516 (05/22)



INDUSTRIAL MAGNETICS



INDUSTRIAL MAGNETICS, INC. • 231.582.3100 • WWW.MAGNETICS.COM

