

FOOT PULL ASSEMBLY INSTRUCTIONS

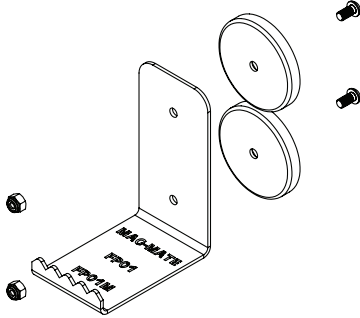
900516.A (03/20)



Making Things Better®



INDUSTRIAL MAGNETICS, INC. • 231.582.3100 • WWW.MAGNETICS.COM



FOOT PULL ASSEMBLY INSTRUCTIONS

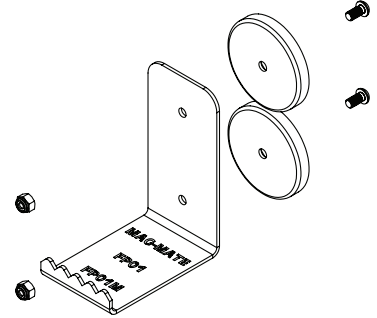
900516.A (03/20)



Making Things Better®



INDUSTRIAL MAGNETICS, INC. • 231.582.3100 • WWW.MAGNETICS.COM



FOOT PULL ASSEMBLY INSTRUCTIONS

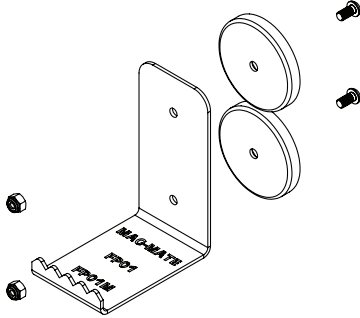
900516.A (03/20)



Making Things Better®



INDUSTRIAL MAGNETICS, INC. • 231.582.3100 • WWW.MAGNETICS.COM



FOOT PULL ASSEMBLY INSTRUCTIONS

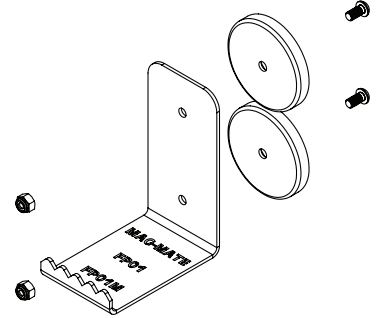
900516.A (03/20)



Making Things Better®



INDUSTRIAL MAGNETICS, INC. • 231.582.3100 • WWW.MAGNETICS.COM



FOOT PULL ASSEMBLY INSTRUCTIONS

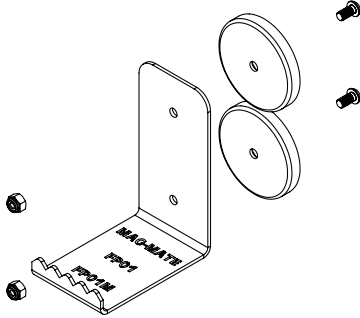
900516.A (03/20)



Making Things Better®



INDUSTRIAL MAGNETICS, INC. • 231.582.3100 • WWW.MAGNETICS.COM



FOOT PULL ASSEMBLY INSTRUCTIONS

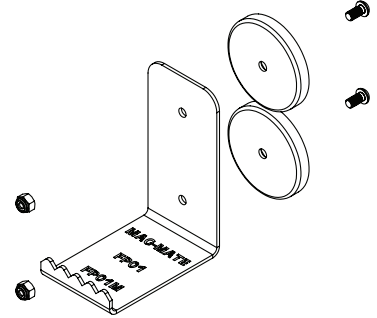
900516.A (03/20)



Making Things Better®



INDUSTRIAL MAGNETICS, INC. • 231.582.3100 • WWW.MAGNETICS.COM



FOOT PULL ASSEMBLY INSTRUCTIONS

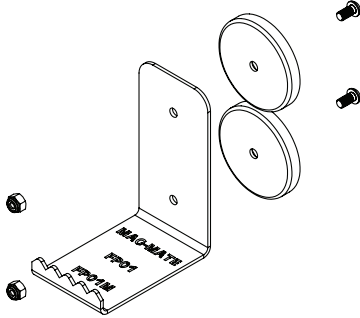
900516.A (03/20)



Making Things Better®



INDUSTRIAL MAGNETICS, INC. • 231.582.3100 • WWW.MAGNETICS.COM



FOOT PULL ASSEMBLY INSTRUCTIONS

900516.A (03/20)



Making Things Better®



INDUSTRIAL MAGNETICS, INC. • 231.582.3100 • WWW.MAGNETICS.COM

