

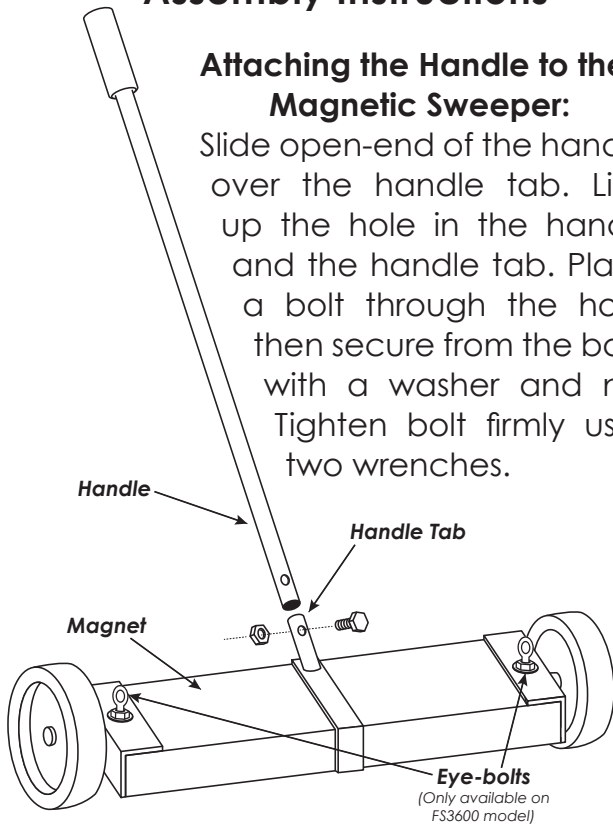
# FLOOR SWEEPER

(FS1200, FS2400, FS3600)

## Assembly Instructions

### Attaching the Handle to the Magnetic Sweeper:

Slide open-end of the handle over the handle tab. Line up the hole in the handle and the handle tab. Place a bolt through the holes then secure from the back with a washer and nut. Tighten bolt firmly using two wrenches.



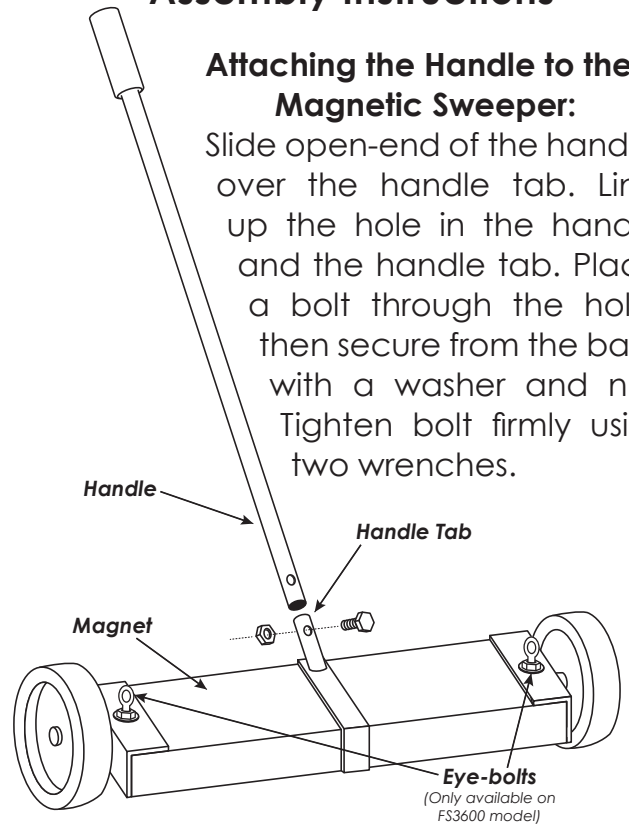
# FLOOR SWEEPER

(FS1200, FS2400, FS3600)

## Assembly Instructions

### Attaching the Handle to the Magnetic Sweeper:

Slide open-end of the handle over the handle tab. Line up the hole in the handle and the handle tab. Place a bolt through the holes then secure from the back with a washer and nut. Tighten bolt firmly using two wrenches.



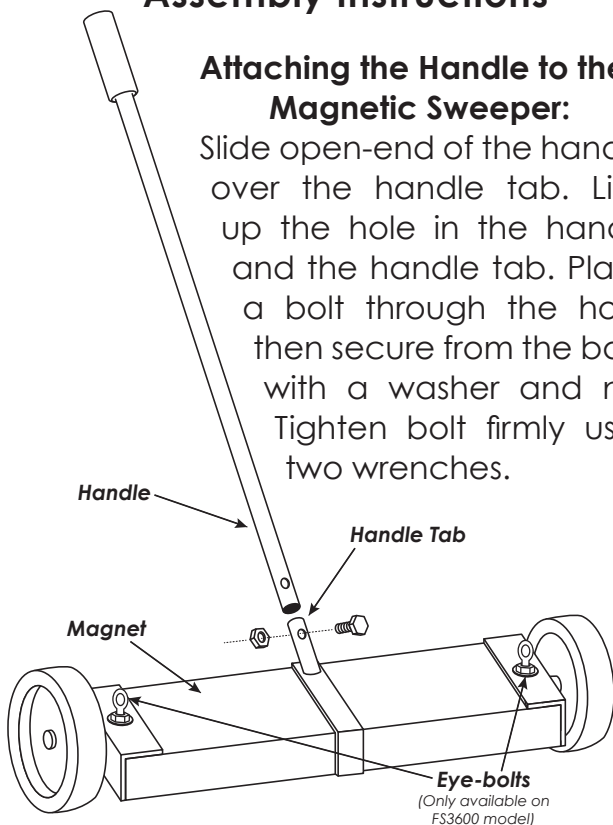
# FLOOR SWEEPER

(FS1200, FS2400, FS3600)

## Assembly Instructions

### Attaching the Handle to the Magnetic Sweeper:

Slide open-end of the handle over the handle tab. Line up the hole in the handle and the handle tab. Place a bolt through the holes then secure from the back with a washer and nut. Tighten bolt firmly using two wrenches.



# FLOOR SWEEPER

(FS1200, FS2400, FS3600)

## Assembly Instructions

### Attaching the Handle to the Magnetic Sweeper:

Slide open-end of the handle over the handle tab. Line up the hole in the handle and the handle tab. Place a bolt through the holes then secure from the back with a washer and nut. Tighten bolt firmly using two wrenches.

