

COAT HOOK ASSEMBLY INSTRUCTIONS

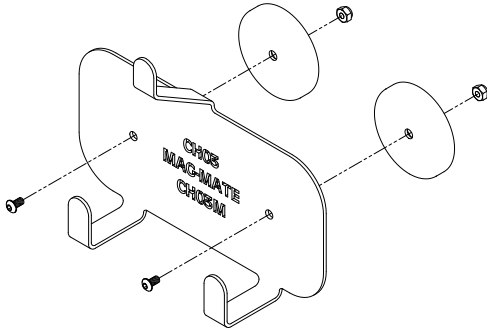
900457 (04/22)



INDUSTRIAL MAGNETICS



INDUSTRIAL MAGNETICS, INC. • 231.582.3100 • WWW.MAGNETICS.COM



COAT HOOK ASSEMBLY INSTRUCTIONS

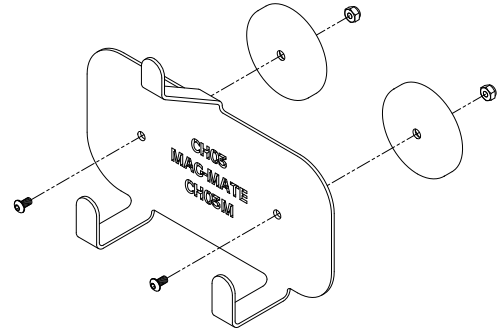
900457 (04/22)



INDUSTRIAL MAGNETICS



INDUSTRIAL MAGNETICS, INC. • 231.582.3100 • WWW.MAGNETICS.COM



COAT HOOK ASSEMBLY INSTRUCTIONS

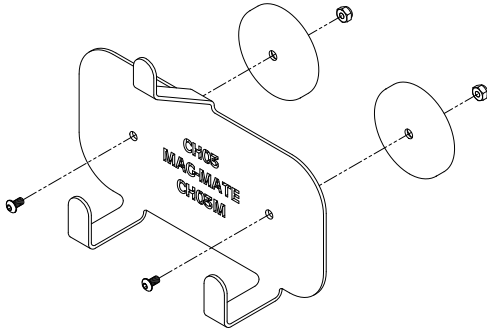
900457 (04/22)



INDUSTRIAL MAGNETICS



INDUSTRIAL MAGNETICS, INC. • 231.582.3100 • WWW.MAGNETICS.COM



COAT HOOK ASSEMBLY INSTRUCTIONS

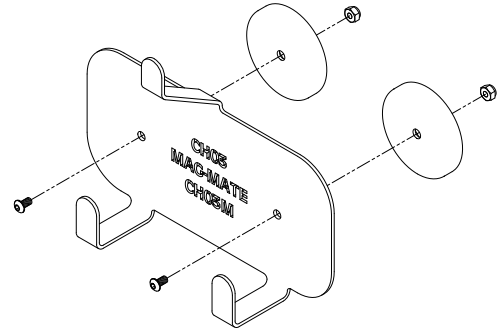
900457 (04/22)



INDUSTRIAL MAGNETICS



INDUSTRIAL MAGNETICS, INC. • 231.582.3100 • WWW.MAGNETICS.COM



COAT HOOK ASSEMBLY INSTRUCTIONS

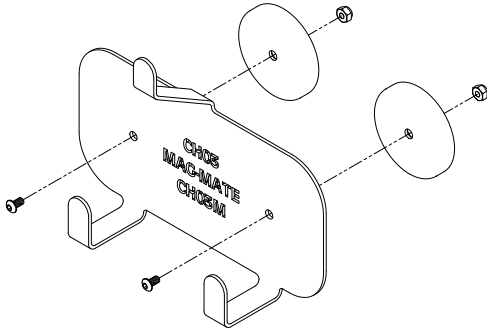
900457 (04/22)



INDUSTRIAL MAGNETICS



INDUSTRIAL MAGNETICS, INC. • 231.582.3100 • WWW.MAGNETICS.COM



COAT HOOK ASSEMBLY INSTRUCTIONS

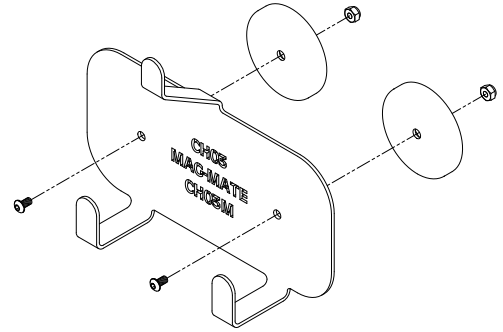
900457 (04/22)



INDUSTRIAL MAGNETICS



INDUSTRIAL MAGNETICS, INC. • 231.582.3100 • WWW.MAGNETICS.COM



COAT HOOK ASSEMBLY INSTRUCTIONS

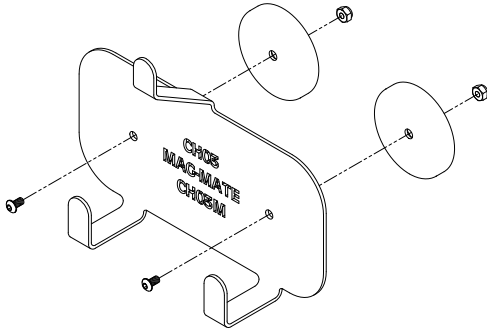
900457 (04/22)



INDUSTRIAL MAGNETICS



INDUSTRIAL MAGNETICS, INC. • 231.582.3100 • WWW.MAGNETICS.COM



COAT HOOK ASSEMBLY INSTRUCTIONS

900457 (04/22)



INDUSTRIAL MAGNETICS



INDUSTRIAL MAGNETICS, INC. • 231.582.3100 • WWW.MAGNETICS.COM

