

# COAT HOOK ASSEMBLY INSTRUCTIONS

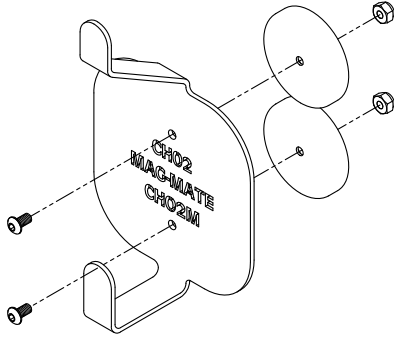
900456 (04/22)



INDUSTRIAL MAGNETICS



INDUSTRIAL MAGNETICS, INC. • 231.582.3100 • WWW.MAGNETICS.COM



# COAT HOOK ASSEMBLY INSTRUCTIONS

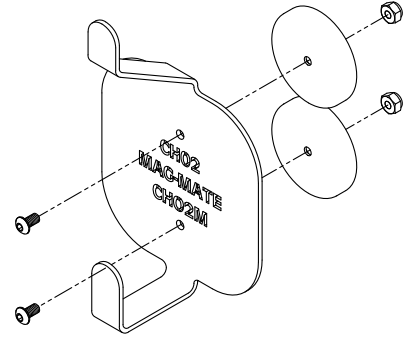
900456 (04/22)



INDUSTRIAL MAGNETICS



INDUSTRIAL MAGNETICS, INC. • 231.582.3100 • WWW.MAGNETICS.COM



# COAT HOOK ASSEMBLY INSTRUCTIONS

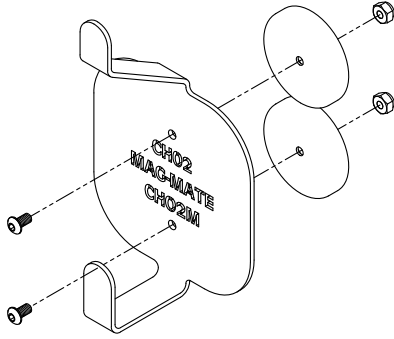
900456 (04/22)



INDUSTRIAL MAGNETICS



INDUSTRIAL MAGNETICS, INC. • 231.582.3100 • WWW.MAGNETICS.COM



# COAT HOOK ASSEMBLY INSTRUCTIONS

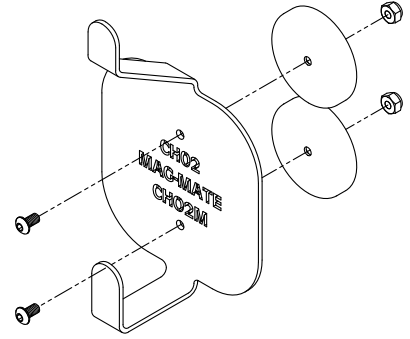
900456 (04/22)



INDUSTRIAL MAGNETICS



INDUSTRIAL MAGNETICS, INC. • 231.582.3100 • WWW.MAGNETICS.COM



# COAT HOOK ASSEMBLY INSTRUCTIONS

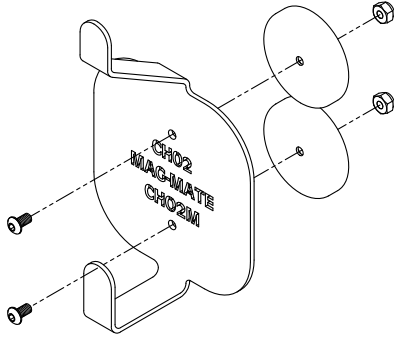
900456 (04/22)



INDUSTRIAL MAGNETICS



INDUSTRIAL MAGNETICS, INC. • 231.582.3100 • WWW.MAGNETICS.COM



# COAT HOOK ASSEMBLY INSTRUCTIONS

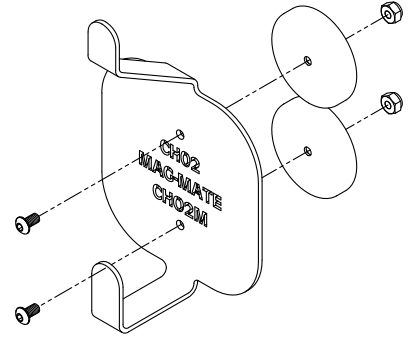
900456 (04/22)



INDUSTRIAL MAGNETICS



INDUSTRIAL MAGNETICS, INC. • 231.582.3100 • WWW.MAGNETICS.COM



# COAT HOOK ASSEMBLY INSTRUCTIONS

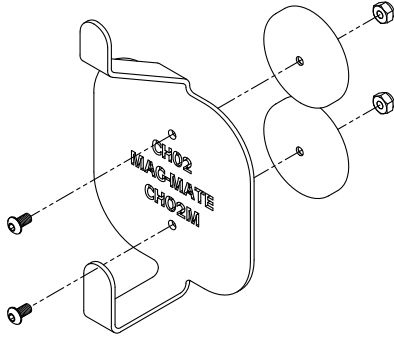
900456 (04/22)



INDUSTRIAL MAGNETICS



INDUSTRIAL MAGNETICS, INC. • 231.582.3100 • WWW.MAGNETICS.COM



# COAT HOOK ASSEMBLY INSTRUCTIONS

900456 (04/22)



INDUSTRIAL MAGNETICS



INDUSTRIAL MAGNETICS, INC. • 231.582.3100 • WWW.MAGNETICS.COM

