

COAT HOOK ASSEMBLY INSTRUCTIONS

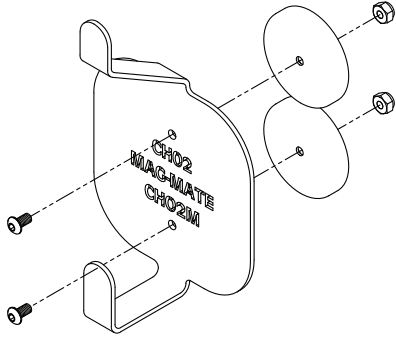
900456.A (10/18)



Making Things Better®



INDUSTRIAL MAGNETICS, INC. • 231.582.3100 • WWW.MAGNETICS.COM



COAT HOOK ASSEMBLY INSTRUCTIONS

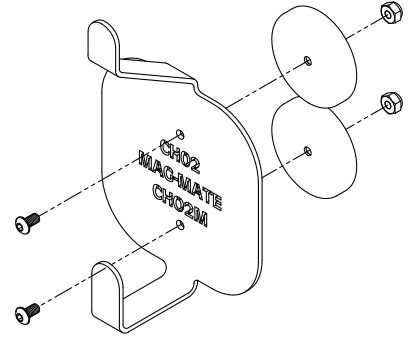
900456.A (10/18)



Making Things Better®



INDUSTRIAL MAGNETICS, INC. • 231.582.3100 • WWW.MAGNETICS.COM



COAT HOOK ASSEMBLY INSTRUCTIONS

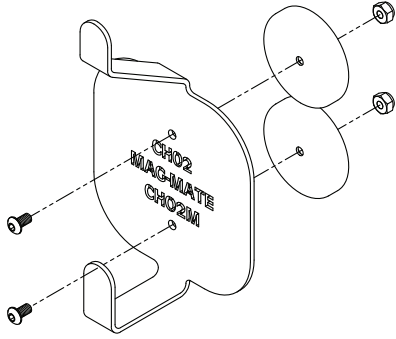
900456.A (10/18)



Making Things Better®



INDUSTRIAL MAGNETICS, INC. • 231.582.3100 • WWW.MAGNETICS.COM



COAT HOOK ASSEMBLY INSTRUCTIONS

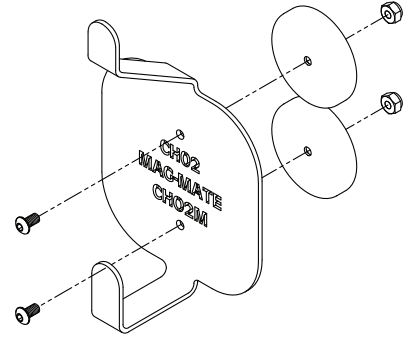
900456.A (10/18)



Making Things Better®



INDUSTRIAL MAGNETICS, INC. • 231.582.3100 • WWW.MAGNETICS.COM



COAT HOOK ASSEMBLY INSTRUCTIONS

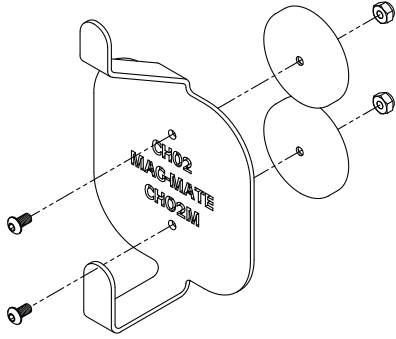
900456.A (10/18)



Making Things Better®



INDUSTRIAL MAGNETICS, INC. • 231.582.3100 • WWW.MAGNETICS.COM



COAT HOOK ASSEMBLY INSTRUCTIONS

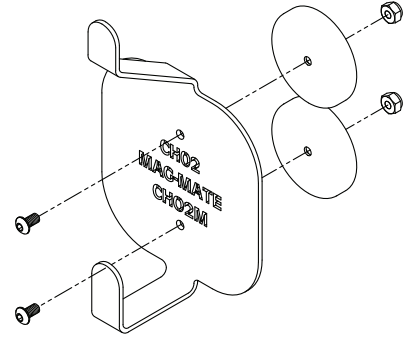
900456.A (10/18)



Making Things Better®



INDUSTRIAL MAGNETICS, INC. • 231.582.3100 • WWW.MAGNETICS.COM



COAT HOOK ASSEMBLY INSTRUCTIONS

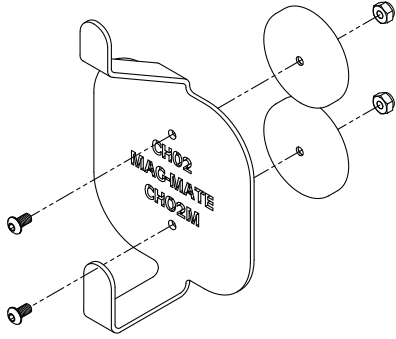
900456.A (10/18)



Making Things Better®



INDUSTRIAL MAGNETICS, INC. • 231.582.3100 • WWW.MAGNETICS.COM



COAT HOOK ASSEMBLY INSTRUCTIONS

900456.A (10/18)



Making Things Better®



INDUSTRIAL MAGNETICS, INC. • 231.582.3100 • WWW.MAGNETICS.COM

