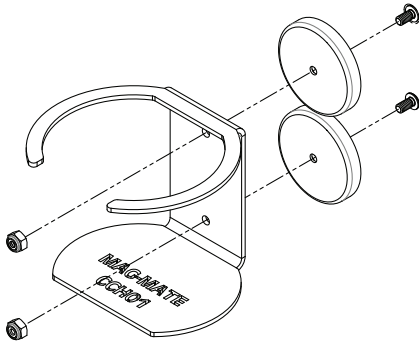


CAN/CUP HOLDER ASSEMBLY INSTRUCTIONS

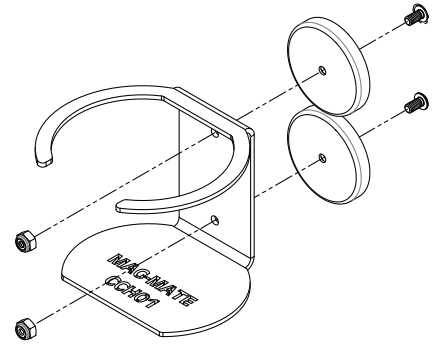
900438.A (05/18)



INDUSTRIAL MAGNETICS, INC. • 231.582.3100 • WWW.MAGNETICS.COM

CAN/CUP HOLDER ASSEMBLY INSTRUCTIONS

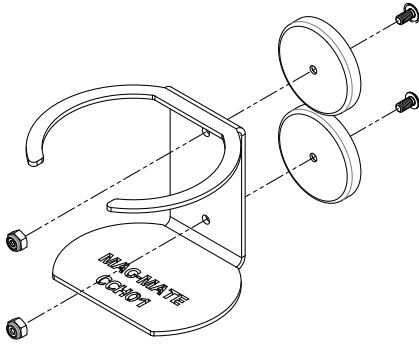
900438.A (05/18)



INDUSTRIAL MAGNETICS, INC. • 231.582.3100 • WWW.MAGNETICS.COM

CAN/CUP HOLDER ASSEMBLY INSTRUCTIONS

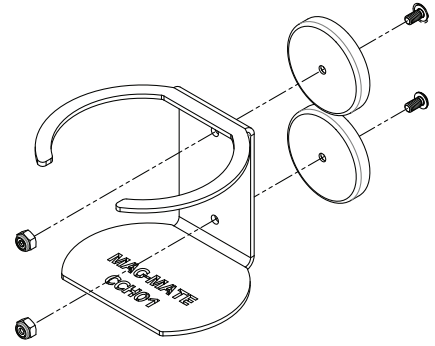
900438.A (05/18)



INDUSTRIAL MAGNETICS, INC. • 231.582.3100 • WWW.MAGNETICS.COM

CAN/CUP HOLDER ASSEMBLY INSTRUCTIONS

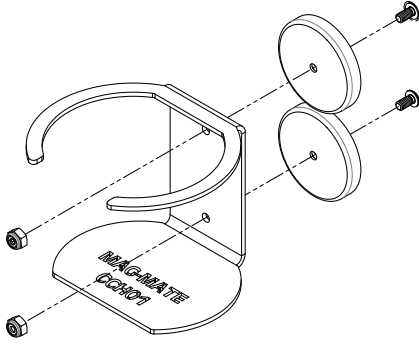
900438.A (05/18)



INDUSTRIAL MAGNETICS, INC. • 231.582.3100 • WWW.MAGNETICS.COM

CAN/CUP HOLDER ASSEMBLY INSTRUCTIONS

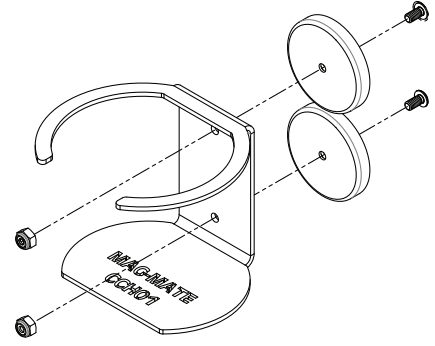
900438.A (05/18)



INDUSTRIAL MAGNETICS, INC. • 231.582.3100 • WWW.MAGNETICS.COM

CAN/CUP HOLDER ASSEMBLY INSTRUCTIONS

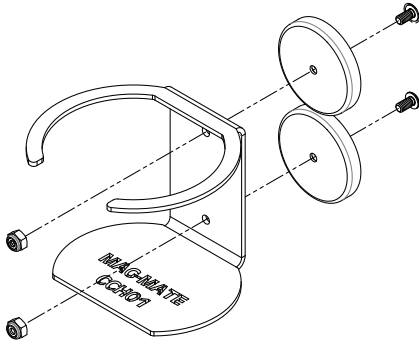
900438.A (05/18)



INDUSTRIAL MAGNETICS, INC. • 231.582.3100 • WWW.MAGNETICS.COM

CAN/CUP HOLDER ASSEMBLY INSTRUCTIONS

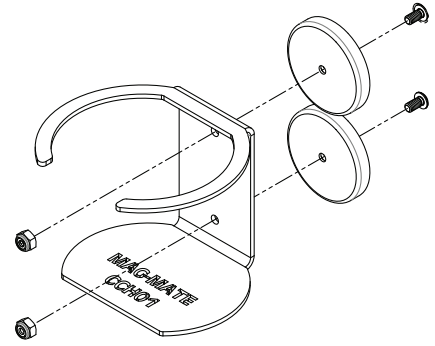
900438.A (05/18)



INDUSTRIAL MAGNETICS, INC. • 231.582.3100 • WWW.MAGNETICS.COM

CAN/CUP HOLDER ASSEMBLY INSTRUCTIONS

900438.A (05/18)



INDUSTRIAL MAGNETICS, INC. • 231.582.3100 • WWW.MAGNETICS.COM