



SWITCHING POWER SUPPLIES - PSA SERIES OPERATION MANUAL



TOLL FREE: 888.582.0822

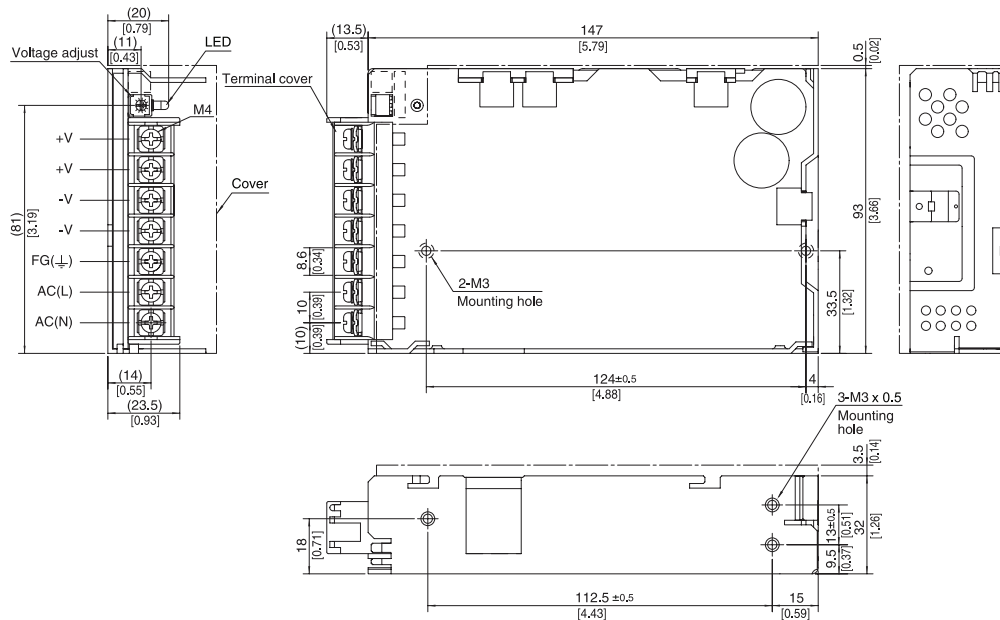
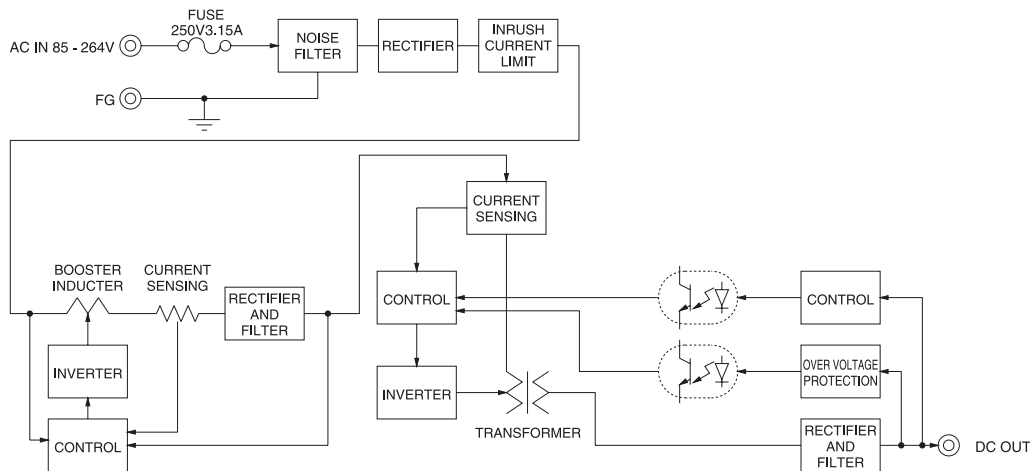
INSTALLATION AND OPERATION

Threaded holes on the bottom and one side surface may be used for mounting. The supply may also be rear mounted using the same holes that attach the rear cover plate.

Even a relatively small amount of air flowing around and through a power supply will significantly reduce the rise in its temperature resulting from operation, and therefore the temperature of the critical components within it, improving both reliability and stability. Avoid blocking air flow through vented/perforated surfaces. Allow free air to circulate around heat sinks. Space at least one inch away from surrounding objects.

Make all connections before applying AC input power.

If the AC input power contains large voltage spikes ('noise') induced by the switching of high currents, inductive loads, electromechanical components, etc., the input power leads to the supply should include some means of transient suppression. Otherwise, a portion of the noise may be coupled through the supply to the load. Also, the supply could be damaged. The means of suppression that is easiest to install is a 1 mfd. capacitor or a metal oxide surge suppressor (MOV) across the AC input terminals of the supply. In extremely severe cases, the use of RF chokes in series with each side of the line may also be required.



900425.A (09/17)

INDUSTRIAL MAGNETICS, INC.

1385 S M 75 • Boyne City, Michigan 49712 • Phone: (231) 582-3100 • Fax: (231) 582-2704 • www.magnetics.com • imi@magnetics.com



888-582-0823



888-582-0822



888-582-0821