

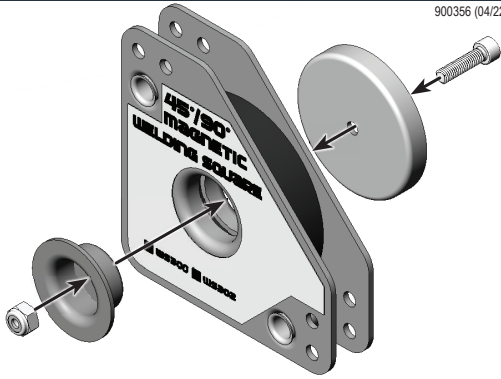
3-AXIS MAGNETIC WELD SQUARE ASSEMBLY INSTRUCTIONS

900356 (04/22)



MAG-MATE®

INDUSTRIAL MAGNETICS, INC. • 231.582.3100 • WWW.MAGNETICS.COM



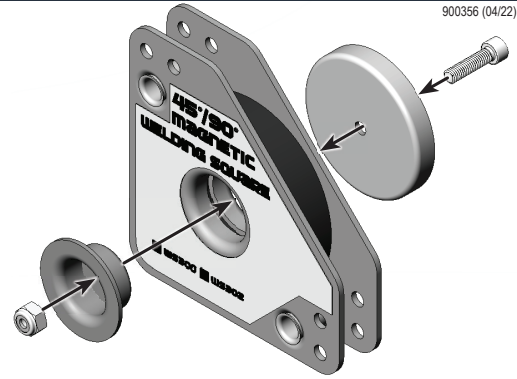
3-AXIS MAGNETIC WELD SQUARE ASSEMBLY INSTRUCTIONS

900356 (04/22)



MAG-MATE®

INDUSTRIAL MAGNETICS, INC. • 231.582.3100 • WWW.MAGNETICS.COM



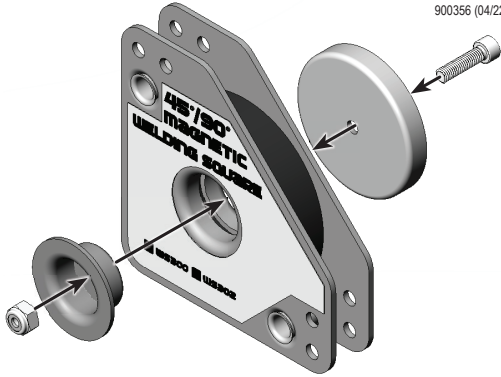
3-AXIS MAGNETIC WELD SQUARE ASSEMBLY INSTRUCTIONS

900356 (04/22)



MAG-MATE®

INDUSTRIAL MAGNETICS, INC. • 231.582.3100 • WWW.MAGNETICS.COM



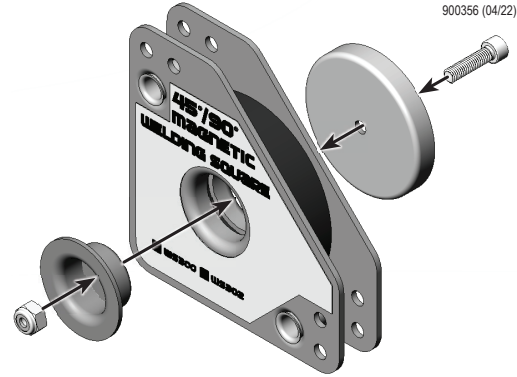
3-AXIS MAGNETIC WELD SQUARE ASSEMBLY INSTRUCTIONS

900356 (04/22)



MAG-MATE®

INDUSTRIAL MAGNETICS, INC. • 231.582.3100 • WWW.MAGNETICS.COM



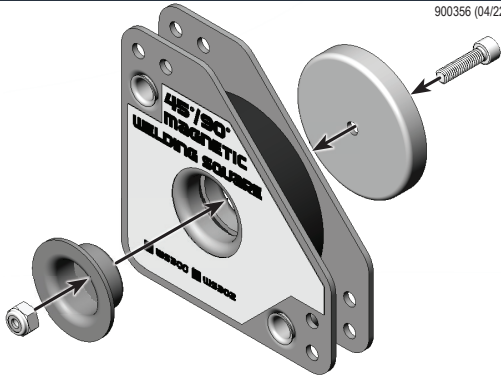
3-AXIS MAGNETIC WELD SQUARE ASSEMBLY INSTRUCTIONS

900356 (04/22)



MAG-MATE®

INDUSTRIAL MAGNETICS, INC. • 231.582.3100 • WWW.MAGNETICS.COM



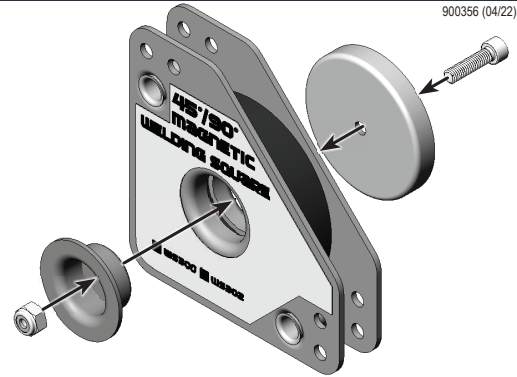
3-AXIS MAGNETIC WELD SQUARE ASSEMBLY INSTRUCTIONS

900356 (04/22)



MAG-MATE®

INDUSTRIAL MAGNETICS, INC. • 231.582.3100 • WWW.MAGNETICS.COM



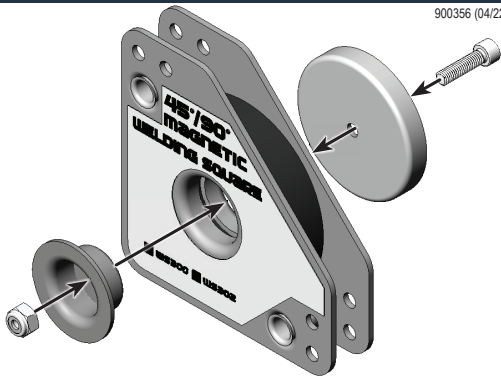
3-AXIS MAGNETIC WELD SQUARE ASSEMBLY INSTRUCTIONS

900356 (04/22)



MAG-MATE®

INDUSTRIAL MAGNETICS, INC. • 231.582.3100 • WWW.MAGNETICS.COM



3-AXIS MAGNETIC WELD SQUARE ASSEMBLY INSTRUCTIONS

900356 (04/22)



MAG-MATE®

INDUSTRIAL MAGNETICS, INC. • 231.582.3100 • WWW.MAGNETICS.COM

