

3-AXIS MAGNETIC WELD SQUARE ASSEMBLY INSTRUCTIONS

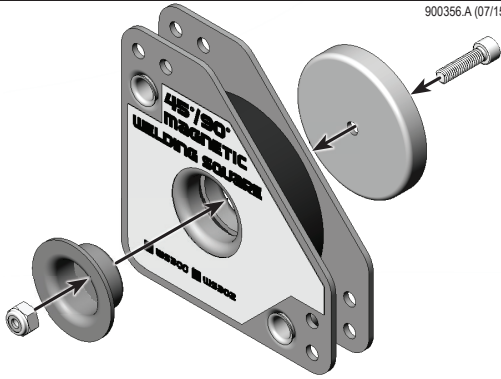
900356.A (07/15)



Making Things Better®



INDUSTRIAL MAGNETICS, INC. • 231.582.3100 • WWW.MAGNETICS.COM



3-AXIS MAGNETIC WELD SQUARE ASSEMBLY INSTRUCTIONS

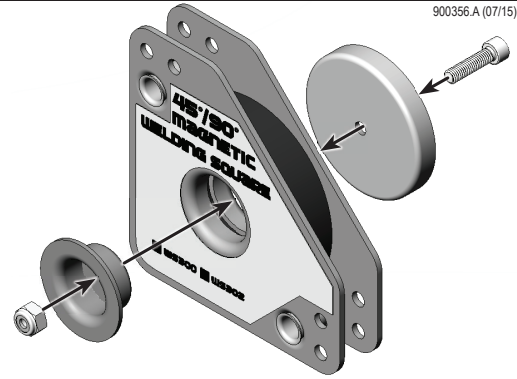
900356.A (07/15)



Making Things Better®



INDUSTRIAL MAGNETICS, INC. • 231.582.3100 • WWW.MAGNETICS.COM



3-AXIS MAGNETIC WELD SQUARE ASSEMBLY INSTRUCTIONS

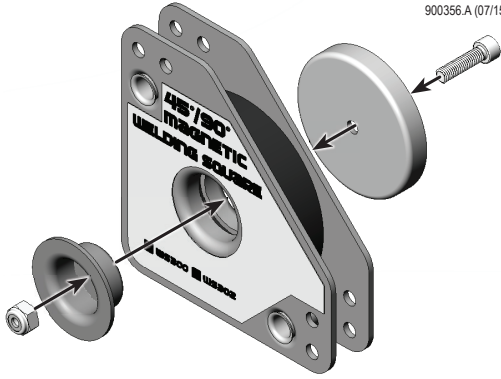
900356.A (07/15)



Making Things Better®



INDUSTRIAL MAGNETICS, INC. • 231.582.3100 • WWW.MAGNETICS.COM



3-AXIS MAGNETIC WELD SQUARE ASSEMBLY INSTRUCTIONS

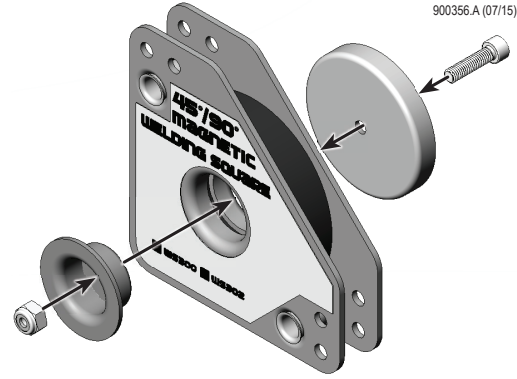
900356.A (07/15)



Making Things Better®



INDUSTRIAL MAGNETICS, INC. • 231.582.3100 • WWW.MAGNETICS.COM



3-AXIS MAGNETIC WELD SQUARE ASSEMBLY INSTRUCTIONS

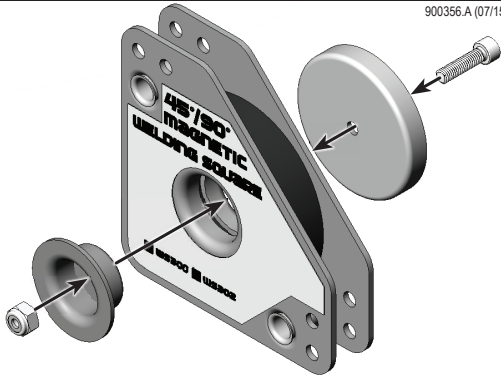
900356.A (07/15)



Making Things Better®



INDUSTRIAL MAGNETICS, INC. • 231.582.3100 • WWW.MAGNETICS.COM



3-AXIS MAGNETIC WELD SQUARE ASSEMBLY INSTRUCTIONS

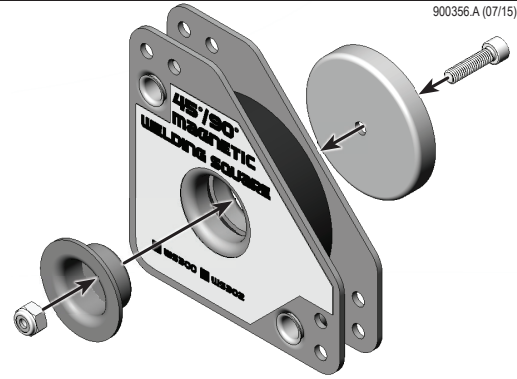
900356.A (07/15)



Making Things Better®



INDUSTRIAL MAGNETICS, INC. • 231.582.3100 • WWW.MAGNETICS.COM



3-AXIS MAGNETIC WELD SQUARE ASSEMBLY INSTRUCTIONS

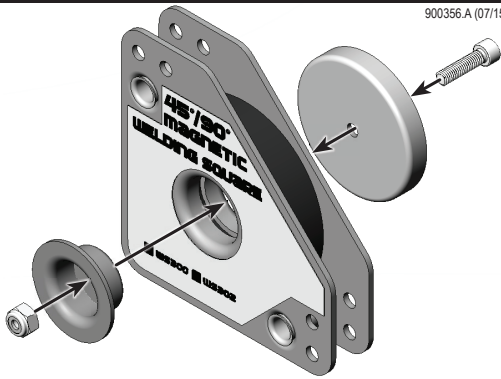
900356.A (07/15)



Making Things Better®



INDUSTRIAL MAGNETICS, INC. • 231.582.3100 • WWW.MAGNETICS.COM



3-AXIS MAGNETIC WELD SQUARE ASSEMBLY INSTRUCTIONS

900356.A (07/15)



Making Things Better®



INDUSTRIAL MAGNETICS, INC. • 231.582.3100 • WWW.MAGNETICS.COM

