



ON/OFF MAGNETIC MULTI ANGLES OPERATION MANUAL

MAG-MATE®

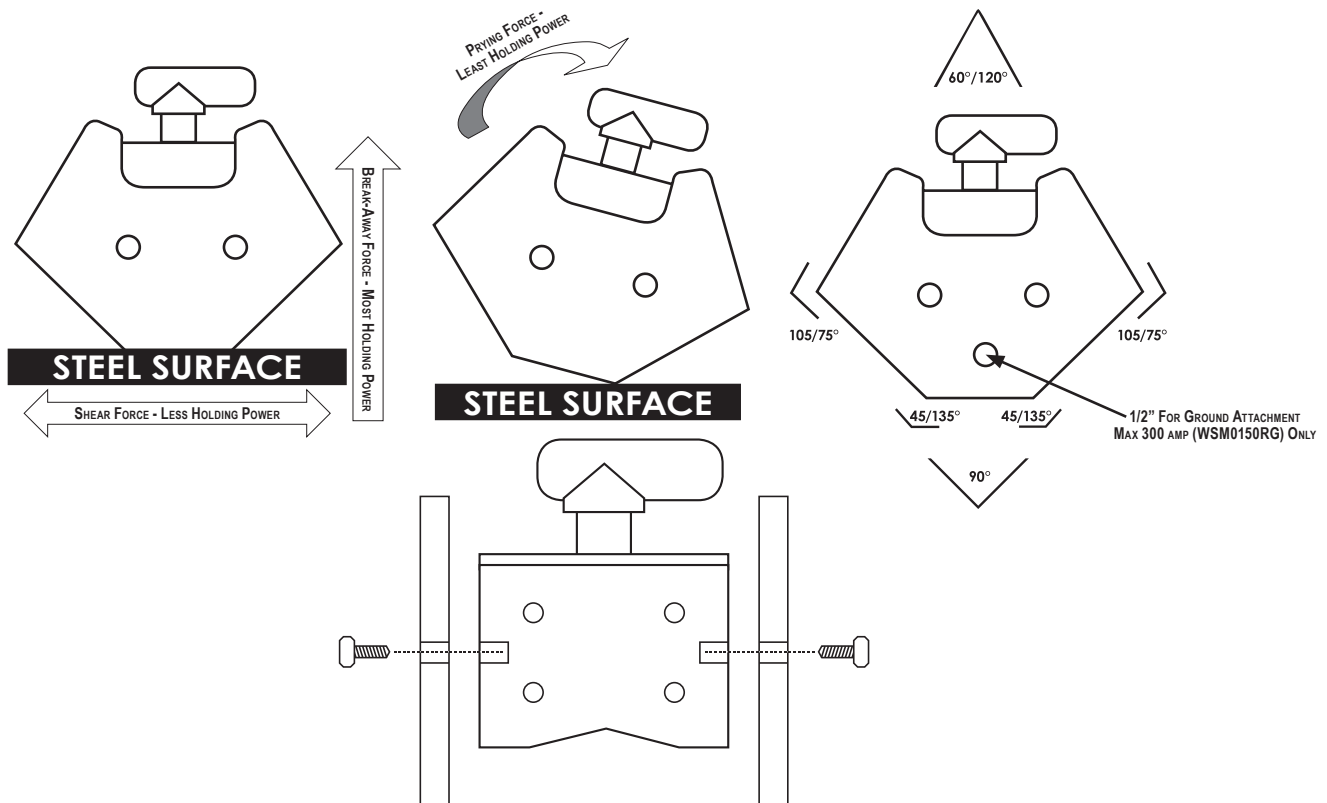
TOLL FREE: 888.582.0822

TO USE THE MULTI ANGLE

- Always **test the connection** before attempting to use the Multi Angle to ensure that it is capable of holding the material securely.
- **Numerous factors can negatively affect the strength** of the magnetic bond. Dirt, debris, oils and grease, painted surfaces and any gap between the magnet and the metal surface will decrease the bond. **Ensure that the connection point is clean** and free of these factors.
- **Thicker metals will be held more strongly than thinner metals.** E.g.: 1/4" (6mm) steel will be held more strongly than thin gauge metals.
- **Flat steel will be held more strongly than round bar stock or tube steel.**
- **Avoid sudden jerking or Shock force** as this will cause the magnet to lose its hold.
- **Never use the standard Angle (WSM0150R) as a welding ground or as part of an electric circuit.**
- **The Multi Angle w/Ground (WSM0150RG)** is designed to be used as a ground clamp at up to 300 amp capacity (50% Duty Cycle) when in 100% contact with clean, bare, flat steel
- For safe operation, the **bottom surface of the Magnet must always be Flat and Smooth.** If necessary, it is possible to sand the Magnet face smooth using 400 grit sandpaper and a flat surface. **Always file any burrs** that would interfere with full contact.

MULTI ANGLE OPERATION

- **The handle on this Multi Angle must be turned clockwise 180 degrees until it stops** in order to be turned "ON". It is not possible to hold the Magnet in place unless fully turned "ON". Turn "ON" only when in contact with ferromagnetic steel.
- **To release the magnetic hold, turn the handle in the counter clockwise direction until it stops. Remove all items attached to or hanging from the Multi Angle before turning "OFF"!** The Magnet will turn "OFF" and release immediately upon turning the handle. Use Caution to ensure that it is safe to release the magnet and that nothing will fall or become dangerous.
- This Multi Angle is capable of **exceptional Break-Away Force** holding power; these Magnets are exceptionally strong in **Shear Force** as well. **Prying Force is the least powerful** of the holding capabilities and great care must be used when attempting to use this device with Pry force. **See illustrations.**



900346.B (01/17)

INDUSTRIAL MAGNETICS, INC.

1385 S M 75 • Boyne City, Michigan 49712 • Phone: (231) 582-3100 • Fax: (231) 582-2704 • www.magnetics.com • imi@magnetics.com

AUTOMATION

888-582-0823

MAG-MATE®

888-582-0822

TRAMP METAL

888-582-0821