



ON/OFF MAGNETIC HANGING HOOK OPERATION MANUAL

MAG-MATE®

TOLL FREE: 888.582.0822

TO USE THE UTILITY HOOK

- Always **test the connection** before attempting to use the Magnetic Hook to ensure that it is capable of holding the material securely.
- **Numerous factors can negatively affect the strength** of the magnetic bond. Dirt, debris, oils and grease, painted surfaces and any gap between the magnet and the metal surface will decrease the bond. **Ensure that the connection point is clean** and free of these factors.
- **Thicker metals will be held more strongly than thinner metals.** E.g.: 1/4" (6mm) steel will be held more strongly than thin gauge metals.
- **Flat steel will be held more strongly than round bar stock or tube steel.**
- **Never exceed the rated capacity of the device.** The HH035R are rated for use up to 35 lbs (16kg) on clean flat steel of 1/8" (3mm) or thicker. The HH110R are rated up to 110 lbs (50kg) on clean flat steel 3/16" (4.5mm) or thicker.
- **Avoid sudden jerking or Shock force** as this will cause the magnet to lose its hold.
- **Never use any Magnetic Hook as a welding ground or as part of an electric circuit.**
- For safe operation, **the bottom surface of the Magnet must always be Flat and Smooth.** If necessary, it is possible to sand the Magnet face smooth using 400 grit sandpaper and a flat surface. **Always file any burrs** that would interfere with full contact.

HANGING HOOK OPERATION

- **The handle on this Magnetic Hook must be turned clockwise 180 degrees until it locks into place** in order to be turned "ON". It is not possible to hold the Magnet in place unless fully turned "ON". Turn "ON" only when in contact with ferromagnetic steel.
- **Always verify that the Hook is locked in the "ON" position** by turning the handle counter clockwise. **Do not push down** when testing.
- **To release the magnetic hold, push down and turn the handle in the counter clockwise direction until it stops. Remove all items attached to or hanging from the hook before turning "OFF"!** The Magnet will turn "OFF" and release immediately upon turning the handle, Use Caution to ensure that it is safe to release the magnet and that nothing will fall or become dangerous.
- This Magnetic Hook is capable of **exceptional Break-Away Force** holding power; the magnets are exceptionally strong in **Shear Force** as well. **Prying force** is the least powerful of the holding capabilities and great care must be used when attempting to use this device with Pry force. **See illustrations.**

USAGE AND APPLICATION INFORMATION

The Hanging Hook is the ideal device to make everyday tasks faster, easier and more convenient. From simple applications such as hanging a hard hat, tool belt or keychain to any steel surface, to more complex situations such as combining multiple Hooks to create a more powerful shelf, there are endless possibilities!

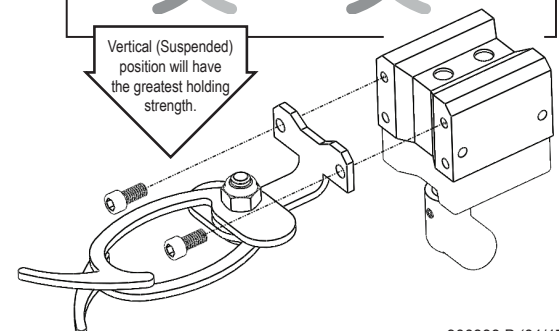
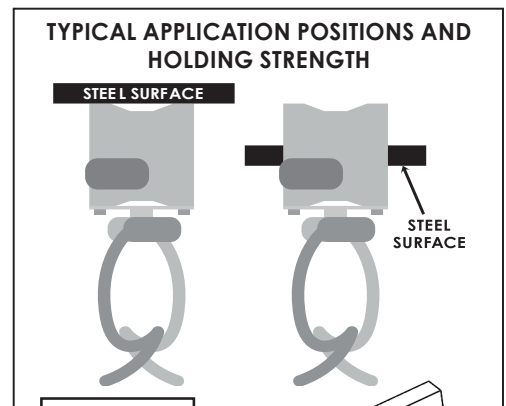
AUTOMOTIVE APPLICATIONS INCLUDE;

- Hanging lines and hoses from the Hook.
- Hanging Bungee Cords from the Hook to hold parts, lines and hoses off the ground.
- Hang a Work Light.
- Hold most any hand tool to the sides of the Hooks for ready access. Sides have strong magnetic hold when "ON". Perfect for hammers, wrenches, pliers, wire cutters, even nuts and bolts!
- Hang a magnetic parts tray from chains attached to the Hook to hold even more!
- Use a solid rod or bar between two hooks to form a support for the far end of a pipe, hose or cable.
- Hold instructions or wiring diagrams to any convenient location. Even through several sheets of paper, the Magnetic Hooks can hold strongly!
- Hold calipers off the ground without stressing the brake line.
- Use pipe or dowel rod between two hooks for a convenient Hanging Rack when cleaning or spraying parts.

INDUSTRIAL AND WELDING APPLICATIONS INCLUDE;

- Temporary routing of air hoses and welding cables to eliminate trip hazards on a work site.
- Holding air tools and blow guns where they are accessible.
- Holding Welding Guns off the ground, at the ready.
- Hang tools from overhead pipes, steel channels or "I" beams.
- Hang Heat/Flame/Spark Shield in place.
- Attach wire or cord to hold up one end of a pipe.
- Suspending cables and wires during installation and/or repair.

Magnetic Hooks have incredible holding power when positioned on clean flat thick ferromagnetic steel. Holding power is reduced on round or uneven surfaces. User **MUST** verify that the hook has enough power to hold the desired load in each and every circumstance and must exercise good judgment in using these versatile magnets.



900339.B (01/17)

INDUSTRIAL MAGNETICS, INC.

1385 S M 75 • Boyne City, Michigan 49712 • Phone: (231) 582-3100 • Fax: (231) 582-2704 • www.magnetics.com • imi@magnetics.com

AUTOMATION

888-582-0823

MAG-MATE®

888-582-0822

TRAMP METAL

888-582-0821