



CREATIVE LIFT® - CERAMIC LIFT MAGNET

OPERATION MANUAL

Conforms ASME B30.20 standards Bth:1 Design Category B Service Class 3

INTRODUCTION

READ AND UNDERSTAND THIS MANUAL BEFORE INSTALLATION AND OPERATION OF YOUR Lift Magnet PRODUCT.

If used carelessly or improperly, there is a possibility that property damage or personal injury can result. The responsibility for safe operation ultimately rests with the operator.

Working load Limit (WLL):

Your Lift Magnet has a stated **Working Load Limit (WLL)** which is sometimes referred to as the Lift Capacity. The stated **Working Load Limit** value is calculated by applying a De-rating (Design) factor to the **maximum value** of the Lift Magnet. The **maximum value** is determined by pulling a new magnet in a perpendicular motion off of a thick, newly machined, piece of steel. This method of testing is conducted under what is considered "ideal conditions." The amount of force it takes to break the Lift Magnet away from the steel test surface under these conditions is the Lift Magnet's **maximum value**.

The stated **Working Load Limit** value is for the benefit and safety of the user. Ideal conditions rarely exist in the field. Conditions such as worn or damaged magnet poles and steel surfaces that have mill scale, oxidation, dirt, or other coatings will cause a

GENERAL INSTRUCTIONS

Installation and start-up are very simple and safe provided that the load limits and the application standards of the Lift Magnet are observed for handling suspended loads.

1. Remove the Lift Magnet from packaging and set on a non-ferrous floor or support structure. This operation is to be done with a crane or hoist of appropriate capacity by hooking to the lift lug the top of the Lift Magnet. Check the Lift Magnet for missing parts, loose bolts or damage. Tighten where necessary or contact the manufacturer.
2. Clean the area where the Lift Magnet will touch. Take care when handling Lift Magnet models that have an exterior mechanical release, such as a roller cam, as they are "Always On" and will engage the steel automatically when the Lift Magnet poles are in close proximity to steel. With a crane or hoist of appropriate capacity, position the Lift Magnet in the center of the load to be moved. Be careful to make sure that the load to be lifted does not exceed the Lift Magnet's **Working Load Limit** for the steel's thickness. See the **Safety Precautions** section for more information.
3. Make sure the magnetic poles are in full and perfect contact with the load and that the cam release device of the Lift Magnet, if applicable, is properly located on the load to be lifted. The

SAFETY MEASURES

- ALWAYS** use the entire pole surface of the Lift Magnet.
- ALWAYS** keep contact pole areas perfectly flat & parallel on the surface of the load.
- ALWAYS** keep contact pole areas and surface of the load clean and free of debris.
- ALWAYS** protect pole surfaces from oxidation after use by treating with some oil.
- ALWAYS** store magnet in a dry environment.
- ALWAYS** check the magnetic poles to make sure they are flat and not damaged.
- DO NOT** place any body part between the Lift Magnet's face and steel. Sudden magnetic attraction may occur causing bodily harm.
- DO NOT** hoist a load weighing more than the Lift Magnet's stated Working Load Limit or capacity.
- DO NOT** attempt to engage the Lift Magnet before resting it on the steel to be lifted. If you have an "Always On" Lift Magnet use, hold the release handle in the release position while lowering the Lift Magnet onto the load to prevent sudden attraction of the Lift Magnet and the steel material.
- DO NOT** hoist the load before locking the handle in the "ON" position (if applicable) or making sure the release handle is not interfering with the load or hoist/crane.
- DO NOT** hoist a load if it is flexing or unbalanced. Load must not be angled more

reduction in performance of the Lift Magnet.

De-rating (Design) Factors:

2:1 = 50% of **maximum value** - BasicLift™

3:1 = 33% of **maximum value** - Creative Lift®, DynamicLift™, PowerLift®, VersaLift™

Loss of Magnetism:

Under normal use conditions, a permanent magnet can experience a decrease in its original **Working Load Limit**. The most common factors which can cause a loss of strength include:

- » Everyday wear and tear on the Lift Magnet's face such as: fine metal buildup on or between the Lift Magnet's poles, nicks or gouges in the magnet's poles, rust buildup, etc.
- » Exposure to Extreme Temperatures
 - » BasicLift™ and Creative Lift® operating range is -76°F (-60°C) to 300°F (148°C).
 - » DynamicLift™, PowerLift® and VersaLift™ operating range is -10°F (-23°C) to 180°F (82°C).
- » Severe blow or shock to the Lift Magnet
- » Exposure to electrical current
- » Exposure to vibration

cam release is the mechanical device that breaks the Lift Magnet free from the load. Improper placement of the cam release on the load to be lifted can make releasing the load difficult.

"On/Off" magnet models feature an internal mechanism to control the Lift Magnet's magnetism. These magnets will be functionally on or off when the handle is in the corresponding locked "On" or "Off" position. See the **Handle Operation Instructions** section for more model specific information.

4. Proceed to move the load observing applicable standards for handling any suspended load. See the **Safety Measures** for general safe lifting protocols.
5. Set the load on the floor or an appropriate support and ensure that the load is perfectly settled before releasing the Lift Magnet from the load.
6. See the **Handle Operation Instructions** section more model specific information on how to release the Lift Magnet from the load.

than 5 degrees from horizontal. Magnet peel-off may occur and the load may fall.

- DO NOT** hoist a load before ensuring perfect magnetic contact. First make a TEST lift of 2 or 3 inches (5-7.5 cm) to ensure proper magnetic holding force.
- DO NOT** disengage the Lift Magnet before firmly setting down the load on the floor or appropriate support and making sure the load is secure.
- DO NOT** weld in close proximity to the Lift Magnet or use the Lift Magnet as a part of the ground circuit during a welding operation.
- DO NOT** place the magnet directly onto a grounded floor. Use a non-conductive spacer.
- DO NOT** lift people or loads with people on them
- DO NOT** leave suspended loads unattended.
- DO NOT** operate a Lift Magnet that is missing parts, damaged or malfunctioning.
- DO NOT** remove or obscure product labeling.
- DO NOT** lift loads higher than necessary or over people.
- DO NOT** center the Lift Magnet by pounding on the sides of the Lift Magnet with a hammer or other blunt instrument.



SAFETY PRECAUTIONS

Even though a magnet works through non-magnetic bodies such as dirt and non-ferrous materials in general the best efficiency of any Lift Magnet is achieved when the poles (the areas or surfaces of the Lift Magnet which make contact with the load) make complete contact with the load. It is therefore recommended to:

1. Never stand under load being lifted or lift over any people. Always use extra caution. Only use on thick material that does not flex or bend.
2. Clear any foreign material from the load and magnet poles before placing the Lift Magnet on the load. Avoid placing the Lift Magnet on steel that has irregular surface conditions.
3. Occasionally check the surface condition of the magnetic poles to make sure they are flat and not damaged or corroded during its time in use.
4. Keep the surface of the Lift Magnet and materials clean and free of chips, oil, slag, welding-beads, dirt, etc. This can be done by wiping the surface of the Lift Magnet off frequently with a wire brush, or shop rag.
5. Thin or large sheets that sag may cause the sheet to peel off the face of the Lift Magnet. (See **Maximum Working Load Limit** and Sheet Length chart)
6. After a period of time the pole faces may become somewhat rounded, reducing the Lift Magnet's effectiveness. Poles can be resurfaced up to 0.010" to 0.015" maximum.

LIFTING ANGLE AND EFFECTS OF UNBALANCED LOADS

Maximum Working Load Limit is achieved when the direction of force is perpendicular (90°) to the metal surface. Sudden or excessive shear, slide, friction, and peeling forces associated with movement or impact will cause a Lift Magnet to fail prematurely when a conveyed load is not balanced or tipped at an angle.

Perform a magnet/load balance test lift by raising the load off the ground by 2"-3" only. Reposition the Lift Magnet until the load is level.

Never lift a load at an angle in excess of 5 degrees from horizontal MATERIAL SURFACE



Lifting ferrous items using a magnet requires a good look at the length, width and thickness of the item. Thin metals do not absorb as many of the magnetic flux lines (magnetic energy) as thicker metals. Thin metals also flex, causing the steel to peel-off the Lift Magnet. Equally important is the physical size, flatness, surface conditions and type of steel. The charts below illustrate how surface finish and Carbon content effect the **Working Load Limit**.

PERCENTAGE OF STATED LIFTING POWER BY MATERIAL		PERCENTAGE OF STATED LIFTING POWER BY SURFACE FINISH			
CARBON CONTENT	LOW CARBON 0.05 - 0.29%	100%	SURFACE FINISH	GROUND SURFACE	100%
	MODERATE CARBON 0.30 - 0.59%	85%		ROUGH MACHINED	100%
	HIGH CARBON 0.60 - 0.99%	75%		FOUNDRY FINISH	85%
	HIGHER CARBON = HIGHER RESIDUAL*			ROUGH CAST	65%

* HIGH CARBON STEEL (TOOL STEEL) WILL ABSORB MAGNETISM & MAY MAGNETICALLY STICK TO STEEL SURFACE, SUCH AS THE LIFT MAGNET OR ATTRACT FERROUS PARTICLES.

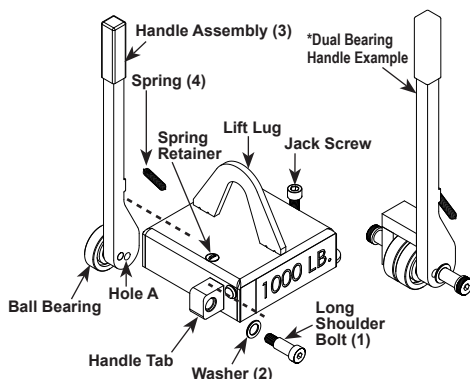
MAXIMUM WORKING LOAD LIMIT (WLL) IN LBS (KG) & SHEET LENGTH (FEET) FOR MATERIAL THICKNESS**

MODEL NO.	3/16" (6' LN)	1/4" (6' LN)	3/8" (8' LN)	1/2" (8' LN)	1+" (10' LN)
BL0400	375 (170)	400 (181)	400 (181)	400 (181)	400 lbs
BL1000	725 (328)	800 (362)	875 (396)	975 (442)	1000 lbs
BL1500	875 (396)	1000 (453)	1400 (635)	1400 (635)	1500 lbs

**NOTE: These values are based on "Ideal Conditions" and are selected due to the sag characteristics of the specified sheet. It is recommended to use 2 or more lifts on a spreader bar when lifting sheets over 8 feet to prevent sheet flexing, sagging or peel-off. Thin material is susceptible to magnetic bleed through, resulting in two sheets being lifted at once. The item to be lifted must cover the entire length and width of the magnetic poles to properly engage and release.

HANDLE INSTALLATION AND OPERATION INSTRUCTIONS

HANDLE/CAM RELEASE INSTALLATION INSTRUCTIONS:



Set the Lift Magnet with the Jack Screw end DOWN, on a non-magnetic surface with the Handle Tab end UP in a vertical position.

NOTE: Shoulder bolts must be installed correctly to prevent bolt failures. Bushing holes and threaded areas must be free of dirt and contaminants before assembling the fasteners. The shoulder bolt must be installed with a tightening torque of 1150 in-lbs (96 ft-lbs). If no torque wrench is available, it is recommended to use a permanent thread locker to insure the shoulder bolt does not come loose. The tightness of the shoulder bolts should be checked on a regular preventative maintenance schedule.

Insert the Long Shoulder Bolt (1) into the Washer (2) then through the Handle Tab. Thread the Bolt into Hole "A" on the Handle Assembly (3). *Note: Place Washers between the handle Tabs and the Dual Bearing Handle Example prior to inserting the shoulder bolt on each side. Attach the Spring (4) to the Spring Retainer welded onto the housing. Pull the handle towards the housing and attach the other end of the Spring to the Spring Retainer welded onto the Handle

Lay the Lift Magnet face down on a non-magnetic surface. Pull the handle down and release it to test proper functionality. The handle should return into an upright position. If the handle doesn't return to the upright position, check for proper installation.

HANDLE/CAM OPERATION INSTRUCTIONS:

Pull and hold the handle/cam release in the downward/horizontal release position while lowering the Lift Magnet onto the load. This will help prevent sudden attraction of the Lift Magnet to the steel and allow for more precise positioning of the Lift Magnet. When the Lift Magnet is in the desired position, slowly raise the handle/cam release into the vertical position to engage the Lift Magnet to the steel. Release the load by moving the lift free from the load. Use of the Jack Screw or a pry bar under the front flange may be necessary to release the Lift Magnet if the cam release device was accidentally positioned off the edge of the load. The Jack Screw is a backup release device.

ANNUAL BREAKAWAY CERTIFICATION TESTING

An annual Breakaway test, performed by an approved testing facility, is recommended to ensure that your Lift Magnet is performing to its optimal level. Under an "Ideal Condition" environment, a series of Breakaway tests will determine the current "de-rated" **Working Load Limit** of your magnet. This **Working Load Limit** must meet or exceed the value stated on your Lift Magnet. If the stated **Working Load Limit** is met, the Lift Magnet can be returned to use and scheduled for another Breakaway test in one year. The outcome of the test allows the operator/owner of the Lift Magnet to know that the Lift Magnet meets the lift standards as designed by the manufacturer.

If the stated **Working Load Limit** is not met, the Lift Magnet can possibly be machined to bring all magnet face poles back to a smooth, level condition. If that does not bring the Lift Magnet back to the manufacture's original **Working Load Limit**, the Lift Magnet should be removed from operation and replaced with another magnet.

A BREAKAWAY TEST CERTIFICATE, given at the conclusion of the testing, gives the operator/owner documentation of the Lift Magnet's performance.

Shipping Instructions For magnet calibration

Note: Customer is responsible for shipping to and from Industrial Magnetics, Inc., and any authorized repairs to the Lift Magnet. Please contact our customer service department at (888) 582-0822 to obtain your Customer Supplied Material (CSM) number. At this time, you will be required to supply a P.O.# for the test procedure described under "Calibration". Current fees for this procedure can be obtained by contacting the number listed above. Include your contact information and shipping address with your Lift Magnet and send to:

Industrial Magnetics, Inc.

1385 S M 75, Boyne City, MI 49712

CSM# _____, Attn: Quality Assurance, Calibration

COMMENTS, CONCERNS OR WARRANTY INFORMATION

We believe Industrial Magnetics, Inc. offers the finest line of Lift Magnets available today. Great pride has gone into the design and manufacture of this unit. Any comments, concerns or warranty questions should be directed to our Customer Service Department at 1-888-582-0822. We appreciate the opportunity to serve you!



CREATIVE LIFT® - IMÁN DE ELEVACIÓN DE CERÁMICA

MANUAL DE OPERACIÓN

Cumple con las normas ASME B30.20 BA: 1 Diseño Clase B Categoría de servicio 3

INTRODUCCIÓN

LEA Y COMPRENDA ESTE MANUAL ANTES DE LA INSTALACIÓN Y OPERACIÓN DE SU IMÁN DE ELEVACIÓN.

Si se usa en forma descuidada o incorrecta, podría ocasionar daño a la propiedad o lesiones personales. La responsabilidad de la operación segura es, en última instancia, del operador.

LÍMITE DE CARGA DE TRABAJO (WLL):

Su imán de elevación tiene un límite de carga de trabajo (WLL, por sus siglas en inglés) establecido, que a veces se denomina "capacidad de elevación". El límite de carga de trabajo establecido se calcula al aplicar un factor de reducción (Diseño) al valor máximo del imán de elevación. El valor máximo se determina al extraer un imán nuevo en sentido perpendicular de una pieza de acero gruesa recientemente mecanizada. Este método de prueba se usa bajo lo que se consideran "condiciones ideales". La cantidad de fuerza que se necesita para separar el imán de elevación de la superficie de prueba de acero bajo estas condiciones es su valor máximo.

El valor del límite de carga de trabajo se establece en beneficio del usuario y para su seguridad. Es raro que existan condiciones ideales en el campo. Las condiciones como daño o desgaste en los polos del imán y superficies de acero con óxido de hierro, oxidación, suciedad u otros revestimientos provocarán una reducción del desempeño del imán de elevación.

INSTRUCCIONES GENERALES

La instalación y puesta en marcha son muy sencillas y seguras, siempre y cuando se cumplan los límites de carga y las normas de aplicación del imán de elevación para manejar cargas suspendidas.

1. Quite el imán de elevación del empaque y colóquelo en un piso o estructura de apoyo no ferroso. Esta operación debe llevarse a cabo con una grúa o un montacargas de capacidad adecuada al sujetar la parte superior del imán de elevación al gancho de elevación. Verifique que no haya piezas faltantes, pernos flojos o daños en el imán de elevación. Ajuste donde sea necesario o contacte al fabricante.
2. Limpie el área donde tocará el imán de elevación. Tenga cuidado al manipular los modelos del imán de elevación que tengan un mecanismo externo de liberación mecánica, como una leva de rodillo, ya que están "siempre activados" y se adherirán automáticamente el acero cuando los polos del imán estén cerca del acero. Con una grúa o montacargas de capacidad adecuada, posicione el imán de elevación en el centro de la carga a trasladar. Asegúrese de que la carga a elevar no exceda el límite de carga de trabajo del imán para el espesor del acero. Consulte la sección de Precauciones de seguridad para obtener más información.
3. Asegúrese de que los polos magnéticos estén en total y perfecto contacto con la carga y

MEDIDAS DE SEGURIDAD

- SIEMPRE** use toda la superficie del polo del imán de elevación.
- SIEMPRE** mantenga las áreas de contacto de los polos perfectamente planas y paralelas sobre la superficie de la carga.
- SIEMPRE** mantenga las áreas de contacto de los polos y la superficie de la carga limpias y libres de desechos.
- SIEMPRE** proteja las superficies de los polos contra la oxidación después del uso. Para hacerlo, trate la superficie con un poco de aceite.
- SIEMPRE** almacene el imán en un entorno seco.
- SIEMPRE** verifique los polos magnéticos para asegurarse de que estén planos y no estén dañados.
- NO** coloque ninguna parte del cuerpo entre la cara del imán de elevación y una pieza de acero. Puede producirse una atracción magnética súbita que causará daño corporal.
- NO** eleve una carga que pese más que el límite de carga de trabajo o la capacidad establecidos para el imán de elevación.
- NO** intente activar el imán de elevación antes de colocarlo sobre la pieza de acero a elevar. Si debe usar el imán de elevación en el modo "siempre activado", mantenga el mango de liberación en posición de liberación mientras baja el imán hasta la carga para evitar la atracción súbita del imán de elevación y el material de acero.
- NO** eleve la carga antes de bloquear el mango en la posición "ON" (si corresponde) o de asegurarse de que el mango de liberación no interfiera con la carga o la grúa/el montacargas.

FACTORES DE REDUCCIÓN (DISEÑO):

2:1 = 50% del valor máximo - BasicLift™

3:1 = 33% del valor máximo - Creative Lift®, DynamicLift™, PowerLift®, VersaLift™

PERDIDA DE MAGNETISMO:

En condiciones normales de uso, un imán permanente puede experimentar una disminución de su límite de carga de trabajo original. Los factores más comunes que pueden causar una pérdida de fuerza incluyen:

- » El desgaste diario de la cara del imán de elevación, por ejemplo: acumulación de partículas finas de metal encima o entre los polos del imán de elevación, muescas o perforaciones en los polos del imán, acumulación de óxido, etc.
- » Exposición a temperaturas extremas.
 - » El rango de operación de BasicLift™ y Creative Lift® es -76°F (-60°C) a 300°F (148°C).
 - » El rango de operación de DynamicLift™, PowerLift® y VersaLift™ es -10°F (-23°C) a 180°F (82°C).
- » Golpes o impactos fuertes al imán de elevación.
- » Exposición a corriente eléctrica.
- » Exposición a vibración.

que el dispositivo de liberación de leva del imán de elevación, si corresponde, esté bien colocado en la carga a elevar. El mecanismo de liberación de leva es el dispositivo mecánico que libera el imán de elevación de la carga. La colocación incorrecta del mecanismo de liberación de leva en la carga a elevar puede dificultar la liberación de la carga.

- Los modelos de imán "activado/desactivado" tienen un mecanismo interno para controlar el magnetismo del imán de elevación. Estos imanes se activarán o desactivarán en forma funcional cuando el mango esté en la posición correspondiente "On" u "Off" (activado o desactivado). Consulte la sección de Instrucciones para operar el mango para obtener información específica del modelo.
4. Proceda a mover la carga, observando las normas aplicables para manejar cargas suspendidas. Consulte las Medidas de seguridad para ver los protocolos generales de elevación segura.
 5. Coloque la carga en el suelo o en un soporte apropiado y asegúrese de que esta esté perfectamente apoyada antes de liberar el imán de elevación de la carga.
 6. Consulte la sección de Instrucciones para operar el mango para obtener información específica del modelo sobre cómo liberar el imán de elevación de la carga.

- NO** eleve una carga si está flexionada o desequilibrada. La carga no puede tener un ángulo superior a 5 grados con respecto al plano horizontal. El imán puede separarse de la carga y esta puede caer.
- NO** eleve una carga antes de asegurarse de que haya un contacto magnético perfecto. Primero haga una elevación de PRUEBA de 2 o 3 pulgadas (5-7.5 cm) para asegurar una fuerza de sostén magnético adecuada.
- NO** desactive el imán de elevación antes de colocar firmemente la carga en el piso o en un apoyo adecuado y de confirmar que la carga esté segura.
- NO** suelde cerca del imán de elevación ni use el imán como parte del circuito de puesta a tierra durante una operación de soldadura.
- NO** coloque el imán directamente sobre un piso conectado a tierra. Use un espaciador no conductor.
- NO** eleve personas o cargas con personas encima.
- NO** deje cargas suspendidas sin supervisión.
- NO** opere un imán de elevación si le faltan piezas, está dañado o funciona de forma defectuosa.
- NO** quite ni tape las etiquetas del producto.
- NO** eleve cargas más arriba de lo necesario o sobre personas.
- NO** centre el imán de elevación golpeando los costados de este con un martillo u otro instrumento contundente.



PRECAUCIONES DE SEGURIDAD

Aunque un imán funcione a través de cuerpos no magnéticos como suciedad y materiales no ferrosos, en general, la mejor eficiencia de cualquier imán de elevación se logra cuando los polos (las áreas o superficies del imán que entran en contacto con la carga) hacen contacto total con la carga. Por lo tanto, se recomienda lo siguiente:

1. Nunca se pare debajo de una carga que se está elevando ni la eleve sobre otra persona. Siempre tenga extremo cuidado. Solo use en material grueso que no se flexione ni doble.
2. Despeje todo material extraño de la carga y polos del imán antes de colocar el imán de elevación en la carga. Evite colocar el imán de elevación sobre acero que tenga condiciones de superficie irregulares.
3. Ocasionalmente verifique el estado de la superficie de los polos magnéticos para asegurarse de que esté plana y no se haya dañado ni corroído durante su tiempo de uso.
4. Mantenga la superficie del imán de elevación y los materiales limpios y libres de esquirlas, aceite, escoria, restos de soldadura, suciedad, etc. Esto se puede hacer limpiando la superficie del imán con frecuencia con un cepillo de alambre o un paño.
5. Las hojas delgadas o grandes que se comben pueden causar que la placa se separe de la cara del imán de elevación. (Consulte la tabla de Longitud de hojas y **Límite máximo de carga de trabajo**).
6. Después de un período determinado las caras del polo pueden redondearse, y esto reduce la efectividad del imán de elevación. Los polos pueden rectificarse de 0.010" a 0.015" como máximo.

ÁNGULO DE ELEVACIÓN Y EFECTOS DE LAS CARGAS DESEQUILIBRADAS

El **límite máximo de carga de trabajo** se alcanza cuando la dirección de la fuerza es perpendicular (90°) a la superficie de metal. Las fuerzas de cizallamiento, deslizamiento, fricción y separación súbitas o excesivas asociadas con movimientos o impactos harán que un imán de elevación falle en forma prematura cuando la carga transportada no esté equilibrada o esté inclinada en ángulo. Realice una elevación de prueba de equilibrio de carga/imán levantando la carga del

suelo solo 2"-3".

Reposicione el imán de elevación hasta que la carga esté nivelada. Nunca levante una carga a un ángulo que supere los 5 grados respecto al plano horizontal.



SUPERFICIE DEL MATERIAL

Levantar elementos ferrosos usando un imán requiere de un buen análisis de la longitud, el ancho y el espesor del elemento. Los metales delgados no absorben tantas líneas de flujo magnético (energía magnética) como los metales más gruesos. Los metales delgados también se flexionan, y esto hace que el acero se separe del imán de elevación. Es igualmente importante el tamaño físico, la planitud, las condiciones de la superficie y el tipo de acero. Las tablas a continuación ilustran cómo el acabado de la superficie y el contenido de carbono afectan el **límite de carga de trabajo**.

PORCENTAJE DE POTENCIA DE ELEVACIÓN ESTABLECIDA POR MATERIAL		PORCENTAJE DE POTENCIA DE ELEVACIÓN ESTABLECIDA POR ACABADO DE SUPERFICIE		
CONTENIDO DE CARBONO	BAJO CONTENIDO DE CARBONO 0.05 - 0.29%	100%	SUPERFICIE ESMERILADA	100%
	CARBONO MODERADO 0.30 - 0.59%	85%	MECANIZADO IRREGULAR	100%
	ALTO CONTENIDO DE CARBONO 0.60 - 0.99%	75%	ACABADO DE FUNDICIÓN	85%
MAYOR CONTENIDO DE CARBONO = MAYOR FUERZA RESIDUAL		ACABADO DE LA SUPERFICIE	FUNDICIÓN SIN PULIR	65%

* EL ACERO AL CARBONO CON ALTO CONTENIDO DE CARBONO (ACERO PARA HERRAMIENTAS) ABSORBERÁ EL MAGNETISMO Y PUEDE PEGARSE MAGNÉTICAMENTE A UNA SUPERFICIE DE ACERO, COMO EL IMÁN DE ELEVACIÓN O ATRAER PARTÍCULAS FERROSAS.

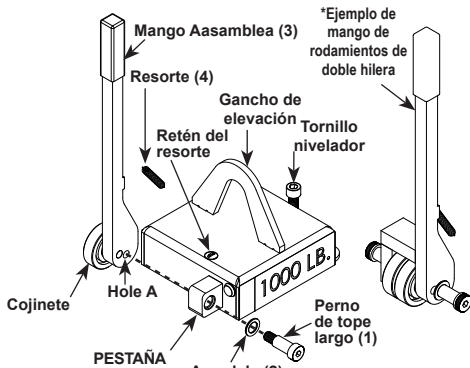
LÍMITE MÁXIMO DE CARGA DE TRABAJO (WLL) EN LIBRAS (KG) Y LONGITUD DE PLACA (EN PIES) PARA EL ESPESOR DEL MATERIAL**

Modelo No.	3/16" (6" LN)	1/4" (6" LN)	3/8" (8" LN)	1/2" (8" LN)	1+" (10" LN)
BL0400	375 (170)	400 (181)	400 (181)	400 (181)	400 lbs
BL1000	725 (328)	800 (362)	875 (396)	975 (442)	1000 lbs
BL1500	875 (396)	1000 (453)	1400 (635)	1400 (635)	1500 lbs

**NOTA: Estos valores se basan en las "condiciones ideales" y se han seleccionado debido a las características de combado de la hoja especificada. Se recomienda usar 2 o más elevadores en una barra de separación cuando se eleven hojas a más de 8 pies (2.4 m) para evitar flexión, combado o separación de la hoja. El material delgado es susceptible a las filtraciones magnéticas, que provocan que dos hojas se levanten al mismo tiempo. El elemento a levantar debe cubrir toda la longitud y el ancho de los polos magnéticos para adherirse y liberarse correctamente.

INSTRUCCIONES DE OPERACIÓN E INSTALACIÓN DEL MANGO

INSTRUCCIONES DE INSTALACIÓN DEL MECANISMO DE LIBERACIÓN DE LEVA/MANGO:



1. Coloque el imán de elevación con el extremo del tornillo de gato hacia ABAJO, en una superficie no magnética con el extremo de la lengüeta de la manija hacia ARRIBA en una posición vertical.

NOTA: Los pernos de hombro deben instalarse correctamente para evitar fallas en los pernos. Los orificios de los bujes y las áreas roscadas deben estar libres de suciedad y contaminantes antes de ensamblar los sujetadores. El perno de hombro debe instalarse con un par de apriete de 1150 in-lbs (96 ft-lbs). Si no se dispone de una llave dinamométrica, se recomienda utilizar un bloqueador de roscas permanente para garantizar que el perno no se afloje. La hermeticidad de los pernos de hombro debe verificarse en un programa de mantenimiento preventivo regular.

2. Inserte el Perno de Hombro Largo (1) en la Arandela (2) y luego a través de la Lengüeta de la Manija. Pase el perno por el orificio "A" en el conjunto de la manija (3). * Nota: Coloque las arandelas entre las lengüetas de la manija y la manija de doble cojinete antes de insertar el perno de hombro en cada lado.
3. Fije el resorte (4) al retenedor de resorte soldado a la carcasa. Tire de la manija hacia la carcasa y conecte el otro extremo del resorte al retenedor de resorte soldado en la manija
4. Coloque el imán de elevación hacia abajo sobre una superficie no magnética. Tire del asa hacia abajo

y suéltela para probar la funcionalidad adecuada. El mango debe regresar a una posición vertical. Si el mango no vuelve a la posición vertical, verifique la instalación correcta.

INSTRUCCIONES DE OPERACIÓN DE LA LEVA/EL MANGO:

Tire y sostenga la liberación del mango / leva en la posición de liberación hacia abajo / horizontal mientras baja el imán de elevación sobre la carga. Esto ayudará a evitar la atracción repentina del Lift Magnet al acero y permitirá una colocación más precisa del Lift Magnet. Cuando el imán de elevación esté en la posición deseada, levante lentamente la liberación del mango / leva en la posición vertical para acoplar el imán de elevación al acero. Libere la carga moviendo la palanca de liberación de la leva hacia abajo para liberar las esquinas posteriores del elevador de la carga. Puede ser necesario utilizar el tornillo de cabeza hueca o una barra de palanca debajo de la brida delantera para liberar el imán de elevación si el dispositivo de liberación de la leva se colocó accidentalmente fuera del borde de la carga. El Jack Screw es un dispositivo de liberación de respaldo.

DISEÑO ANUAL DE PRUEBA FACTOR BREAKAWAY

Se recomienda una prueba anual de fuerza de separación realizada por un centro de pruebas aprobado, para garantizar que su imán de elevación tenga un desempeño óptimo. En un entorno de "condiciones ideales" una serie de pruebas de fuerza de separación determinará el **límite de carga de trabajo** actual "reducido" de su imán. Este **límite de carga de trabajo** debe cumplir o superar el valor establecido en su imán de elevación. Si se alcanza el **límite de carga de trabajo** establecido, el imán de elevación puede volver a ponerse en funcionamiento y se puede programar otra prueba de fuerza de separación dentro de un año. El resultado de la prueba permite al operador/propietario del imán de elevación saber que el imán cumple con las normas de elevación, según el diseño del fabricante.

UN CERTIFICADO DE PRUEBA DE FUERZA DE SEPARACIÓN entregado al finalizar la prueba le da al operador o propietario documentación que indica el desempeño del imán de elevación.

INSTRUCCIONES DE ENVÍO PARA LA CALIBRACIÓN DEL IMÁN

Nota: El cliente es responsable del envío a y desde Industrial Magnets Inc., y de todas las reparaciones autorizadas del imán de elevación. Contacte a nuestro departamento de Servicio al cliente al 1-(888) 582-0822 para obtener su número de Material suministrado por el cliente (CSM, por sus siglas en inglés). En ese momento se le pedirá que brinde un número de orden de compra para el procedimiento de prueba descrito en "Calibración". Los cargos actuales para este procedimiento se pueden obtener llamando al número que aparece arriba. Incluya su información de contacto y dirección de envío con su imán de elevación y envíelo a:

Industrial Magnetics, Inc.
1385 S M 75, Boyne City, MI 49712
CSM# _____, Attn: Quality Assurance, Calibration

COMENTARIOS, INQUIETUDES O INFORMACIÓN DE GARANTÍA

Consideramos que Industrial Magnetics, Inc. ofrece la mejor línea de imanes de elevación disponibles hoy en día. Estamos orgullosos del diseño y la fabricación de esta unidad. Dirija sus comentarios, inquietudes o preguntas sobre garantía a nuestro departamento de Servicio al cliente al 1-888-582-0822. **Agradecemos la oportunidad de servirle.**



CREATIVE LIFT® - AIMANT DE LEVAGE EN CÉRAMIQUE

MANUEL D'UTILISATION

Conforme aux normes ASME B30.20 Bth : 1 Design Catégorie B Service de classe 3

INTRODUCTION

LIRE ET COMPRENDRE CE MANUEL AVANT L'INSTALLATION ET L'UTILISATION DE VOTRE AIMANT DE LEVAGE.

Utiliser cet appareil de façon non sécuritaire ou négligente peut entraîner des dommages matériels ou des blessures corporelles. La responsabilité de la sécurité du fonctionnement revient à l'opérateur.

LIMITE DE CHARGE D'UTILISATION :

La valeur attribuée à la **limite de charge d'utilisation** de votre aimant de levage est parfois appelée capacité de levage. La valeur attribuée à la **limite de charge d'utilisation** est calculée en appliquant un facteur de réduction (conception) à la **valeur maximale** de l'aimant de levage. La **valeur maximale** est déterminée en tirant un nouvel aimant dans un mouvement perpendiculaire à partir d'une pièce d'acier épaisse et nouvellement usinée. Ce type de test est mené sous ce que nous appelons des « conditions idéales ». Sous ces conditions, la quantité de force qu'il faut à l'aimant de levage pour se détacher de la surface d'essai en acier représente la **valeur maximale** de l'aimant de levage.

La valeur attribuée à la **limite de charge d'utilisation** est fournie pour le bénéfice et la sécurité de l'utilisateur. Sur le chantier, les conditions idéales existent rarement. Des conditions telles que des pôles d'aimant usés ou endommagés et des surfaces d'acier couvertes de calamine, d'oxydation, de saleté ou d'autres revêtements réduiront le rendement de l'aimant de levage.

INSTRUCTIONS GÉNÉRALES

L'installation et le démarrage sont très simples et sécuritaires à condition que les limites de charge et les normes applicables de l'aimant de levage soient observées pour la manipulation de charges suspendues.

1. Retirez l'aimant de levage de son emballage et le placer sur un sol non ferreux ou sur une structure de soutien. Cette opération doit être effectuée à l'aide d'une grue ou d'un palan d'une capacité appropriée et en accrochant l'aimant de levage à la patte de levage. Vérifiez qu'aucune pièce n'est manquante, et s'il y a présence de boulons desserrés ou de dommages. Resserrez si nécessaire ou contactez le fabricant.
2. Nettoyez la zone qui sera en contact avec l'aimant de levage. Manipulez avec soin les modèles d'aimant de levage munis d'un mécanisme de dégagement externe, tel une came à galets, car ils sont « toujours en marche » et attireront automatiquement l'acier lorsque les pôles de l'aimant de levage en seront à proximité. Avec une grue ou un palan de capacité appropriée, placez l'aimant de levage au centre de la charge à être déplacée. Assurez-vous que la charge à lever n'excède pas la **limite de charge d'utilisation** de l'épaisseur de l'acier. Pour de plus amples informations, consultez la section **Précautions de sécurité**.
3. Assurez-vous que les pôles de l'aimant de levage sont entièrement et parfaitement

MESURES DE SÉCURITÉ

TOUJOURS utiliser la surface entière du pôle de l'aimant de levage.

TOUJOURS garder les surfaces de contact de pôle parfaitement à plat sur et parallèles à la surface de la charge.

TOUJOURS garder les surfaces de contact du pôle et la surface de la charge propres et exemptes de débris.

TOUJOURS protéger les surfaces de pôle de l'oxydation après l'utilisation en les traitant avec de l'huile.

TOUJOURS entreposer l'aimant dans un environnement sec.

TOUJOURS vérifier et s'assurer que les pôles magnétiques sont à plat et non endommagés.

NE placer AUCUNE partie du corps entre la surface de l'aimant de levage et l'acier. Une attraction magnétique soudaine peut se produire et entraîner des lésions corporelles.

NE PAS lever une charge pesant plus que la limite de charge d'utilisation ou que la capacité attribuée à l'aimant de levage.

NE PAS tenter d'engager l'aimant de levage avant de le poser sur l'acier à être levé. Si votre modèle d'aimant de levage est muni de la fonction « Toujours en marche », tenez la poignée de dégagement en position de relâchement tout en abaissant l'aimant de levage sur la charge, et ce, afin de prévenir une attraction soudaine de l'aimant de levage et du matériau en acier.

NE PAS lever la charge avant de verrouiller la poignée en position « ON (M) » (le cas échéant) ou de s'assurer que la poignée de dégagement n'interfère pas avec la charge, la grue ou le palan.

FACTEURS DE RÉDUCTION (CONCEPTION) :

2:1 = 50 % de la **valeur maximale** - BasicLift™

3:1 = 33 % de la **valeur maximale** - Creative Lift®, DynamicLift™, PowerLift®, VersaLift™

PERTE DE MAGNÉTISME :

Dans des conditions normales d'utilisation, un aimant permanent peut connaître une diminution de sa **limite de charge d'utilisation**. Les facteurs les plus communs pouvant provoquer une perte de force incluent :

- » Une usure quotidienne du parement de l'aimant de levage causée par une accumulation de résidus métalliques sur ou entre les pôles de l'aimant de levage, des ébréchures ou des rainures sur les pôles de l'aimant, la formation de rouille, etc.
- » Une exposition à des températures extrêmes
 - » La plage de fonctionnement des aimants BasicLift™ et Creative Lift® se situe entre -60 °C (-76 °F) à 148 °C (300 °F).
 - » La plage de fonctionnement des aimants DynamicLift™, PowerLift® et VersaLift™ se situe entre -23 °C (-10 °F) à 82 °C (180 °F).
- » Un coup ou un choc violent à l'aimant de levage
- » Une exposition au courant électrique
- » Des vibrations

en contact avec la charge et à ce que le dispositif de dégagement à came de l'aimant de levage, le cas échéant, soit correctement placé sur la charge à lever. Le dispositif de dégagement de la came est le mécanisme qui libère l'aimant de levage de la charge. Un mauvais placement de celui-ci sur la charge à être levée peut rendre le dégagement de la charge plus difficile.

Les modèles d'aimant « On/Off (M/A) » sont munis d'un mécanisme interne qui contrôle le magnétisme de l'aimant de levage. Ces aimants seront en marche ou en arrêt lorsque la poignée est dans la position verrouillée « On (M) » ou « Off (A) ». Pour plus d'informations spécifiques au modèle, veuillez consulter la section **Instructions de fonctionnement de la poignée**.

4. Déplacez la charge en observant les normes applicables pour la manipulation de toute charge suspendue. Pour les protocoles généraux de levage sécuritaire, veuillez consulter les **Mesures de sécurité**.
5. Placez la charge sur le sol ou sur un soutien approprié et assurez-vous que la charge est parfaitement stabilisée avant de libérer l'aimant de levage de la charge.
6. Pour plus d'informations spécifiques au modèle et comment libérer l'aimant de levage de la charge, veuillez consulter la section **Instructions de fonctionnement de la poignée**.

NE PAS lever une charge si celle-ci est pliée ou déséquilibrée. L'angle de la charge ne doit pas dépasser 5 degrés depuis l'horizontal. Un détachement de l'aimant peut se produire et la charge peut tomber.

NE PAS lever une charge avant de s'assurer d'un contact magnétique parfait. Faire d'abord un ESSAI de levage de 5 à 75 cm (2 à 3 po) du sol pour assurer une force magnétique appropriée.

NE PAS désengager l'aimant de levage avant d'avoir déposé fermement la charge sur le sol ou sur un soutien approprié et avant de s'assurer que la charge est sécurisée.

NE PAS souder à proximité de l'aimant de levage ou utiliser celui-ci comme partie d'un circuit masse pendant une opération de soudage.

NE PAS placer l'aimant directement sur un plancher muni d'un circuit masse. Utiliser une entretoise non conductrice.

NE PAS soulever des personnes ou des charges avec des personnes dessus.

NE PAS laisser les charges suspendues sans surveillance.

NE PAS actionner un aimant de levage ayant des pièces manquantes, endommagées ou défectueuses.

NE PAS enlever ou cacher l'étiquetage des produits.

NE PAS soulever de charges plus hautes que nécessaire ou au-dessus de personnes.

NE PAS centrer l'aimant de levage en martelant ses côtés avec un marteau ou autre instrument contondant.



PRÉCAUTIONS DE SÉCURITÉ

En général, même si un aimant fonctionne à travers des corps non magnétiques tels que la saleté et les matériaux non ferreux, sa meilleure efficacité est atteinte lorsque les pôles (les zones ou les surfaces de l'aimant de levage en contact avec la charge) sont en contact complet avec la charge. Il est donc recommandé de :

- 1. Ne jamais rester sous une charge en cours de levage ou lever une charge au-dessus de personne. Toujours redoubler de prudence. N'utiliser que sur un matériel épais qui ne se plie pas.
2. Retirer de la charge et des pôles d'aimant toutes matières étrangères avant de placer l'aimant de levage sur la charge. Éviter de placer l'aimant de levage sur de l'acier dont les surfaces sont irrégulières.
3. Vérifier occasionnellement la condition de la surface des pôles magnétiques pour s'assurer qu'ils sont à plat et ne sont pas endommagés ou corrodés pendant leur utilisation.
4. Garder les matériaux et la surface de l'aimant de levage propres et exempts d'ébréchantures, d'huile, de scories, de perles de soudure, de saleté, etc. Ceci peut être effectué en essayant fréquemment la surface de l'aimant de levage avec une brosse métallique ou un chiffon.
5. Des feuilles minces ou larges qui s'affaissent peuvent se détacher de la surface de l'aimant de levage (veuillez consulter la limite maximale de charge d'utilisation et le diagramme de longueur de feuille).
6. Au bout d'un certain temps, les faces du pôle peuvent s'arrondir légèrement, réduisant l'efficacité de l'aimant de levage. Les pôles peuvent être renivelés de 0,025 cm (0,010 po) à 0,038 cm (0,015 po) au maximum.

ANGLE DE LEVAGE ET EFFETS DE CHARGES DÉSÉQUILIBRÉES

La limite de charge d'utilisation maximale est atteinte lorsque la direction de la force est perpendiculaire (90°) à la surface du métal. Un cisaillement, un glissement, une friction ou une force de traction tous effectués de manière brusque ou excessive entraîneront une défaillance prématurée de l'aimant de levage lorsqu'une charge transmise n'est pas équilibrée ou inclinée. Effectuez un essai de magnétisme d'équilibre de la charge en soulevant celle-ci à un maximum de 5 cm à 75 cm (2 à 3 po) du sol. Repositionnez l'aimant de levage jusqu'à ce que la charge soit à niveau. Ne levez jamais une charge dont l'angle excède 5 degrés de l'horizontal.

SURFACE DU MATÉRIEL

Soulever des articles ferreux en utilisant un aimant nécessite d'observer attentivement la longueur, la largeur et l'épaisseur de l'article. Les métaux minces n'absorbent pas autant de lignes de flux magnétique (énergie magnétique) que les métaux plus épais. De plus, les métaux minces se plient entraînant l'acier à se détacher de l'aimant de levage. Tout aussi importants, la taille physique, la planéité, les conditions de la surface et le type d'acier. Les diagrammes ci-dessous illustrent de quelle façon la finition de la surface et la teneur en carbone affectent la limite de charge d'utilisation.

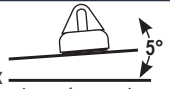


Table with 2 columns: POURCENTAGE DE CAPACITÉ DE LEVAGE ATTRIBUÉE PAR TYPE DE MATÉRIEL and POURCENTAGE DE CAPACITÉ DE LEVAGE ATTRIBUÉE PAR TYPE DE FINITION DE SURFACE. Rows include Teneur faible/modérée/élevée en carbone and Surface du sol/usiné brut/finition de fonderie/moule brut.

* L'ACIER À HAUTE TENEUR EN CARBONE (ACIER À OUTILS) ABSORBERA LE MAGNÉTISME ET PEUT MAGNÉTIQUEMENT COLLER SUR LA SURFACE D'ACIER (P. EX. L'AIMANT DE LEVAGE) OU PEUT ATTIRER DES PARTICULES FERREUSES.

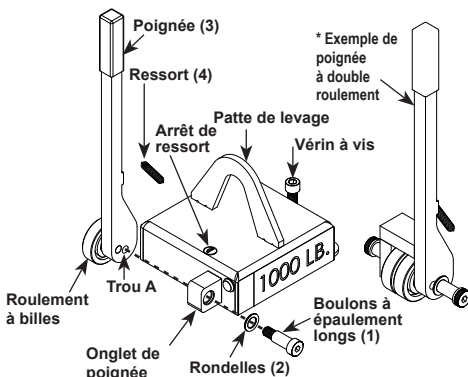
LIMITES MAXIMALES DE CHARGE D'UTILISATION EN KG (LB) ET LONGUEURS DE FEUILLES EN M (PIEDS) SELON L'ÉPAISSEUR DU MATÉRIEL**

Table with 7 columns: MODELE, 0.19 CM (0.187 PO), 0.64 CM (0.25 PO), 0.95 CM (0.375 PO), 1.27 CM (0.5 PO), 2.44 M (8 PI), 2.5 CM ET + (1 PO ET +). Rows include BLO400, BL1000, BL1500.

**NOTE : ces valeurs sont basées sur des « conditions idéales » et sont sélectionnées pour leurs caractéristiques d'affaissement de la feuille spécifiée. Il est recommandé d'utiliser au moins deux montes-charges au cours de la levée de feuilles mesurant plus de 2,44 m (8 pi), et ce, afin de prévenir un fléchissement, un affaissement ou un détachement de la feuille. Un matériel mince est vulnérable à une infiltration magnétique pouvant entraîner deux feuilles à être levées au même moment. L'article qui sera levé doit couvrir entièrement la longueur et la largeur des pôles magnétiques pour que ceux-ci s'engagent et se dégagent correctement.

INSTRUCTIONS DE FONCTIONNEMENT ET D'INSTALLATION DE LA POIGNÉE

INSTRUCTIONS D'INSTALLATION DE LA POIGNÉE DE DÉGAGEMENT À CAME :



Réglez l'aimant de levage avec l'extrémité de la vis Jack vers le BAS, sur une surface non magnétique avec la languette de la poignée vers le HAUT en position verticale.

REMARQUE: Les boulons à épaulement doivent être installés correctement pour éviter les défaillances des

boulons. Les trous des manchons et les zones filetées doivent être exempts de saletés et de contaminants avant d'assembler les fixations. Le boulon à épaulement doit être installé avec un couple de serrage de 1150 po-lb (96 pi-lb). Si aucune clé dynamométrique n'est disponible, il est recommandé d'utiliser un bloqueur de filetage permanent pour s'assurer que le boulon à épaulement ne se détache pas. L'étanchéité des boulons à épaulement doit être vérifiée selon un programme d'entretien préventif régulier.

- 2. Insérez le boulon à épaulement long (1) dans la rondelle (2) puis à travers l'onglet de la poignée. Vissez le boulon dans le trou "A" de l'assemblage de la poignée (3). * Remarque: Placer les rondelles entre les languettes de la poignée et la poignée à double roulement avant d'insérer le boulon à épaulement de chaque côté.
3. Fixez le ressort (4) sur le dispositif de retenue du ressort soudé sur le boîtier. Tirez la poignée vers le boîtier et attachez l'autre extrémité du ressort au ressort de retenue soudé sur la poignée.
4. Posez l'aimant de levage face vers le bas sur une surface non magnétique. Tirez la poignée vers le bas et

relâchez-la pour tester la fonctionnalité appropriée. La poignée doit revenir dans une position verticale. Si la poignée ne revient pas en position verticale, vérifiez que l'installation est correcte.

INSTRUCTIONS DE FONCTIONNEMENT DE LA POIGNÉE DE DÉGAGEMENT À CAME :

Tirez et maintenez le levier / la came dans la position de dégagement vers le bas / horizontal tout en abaissant l'aimant de levage sur la charge. Cela aidera à prévenir l'attraction soudaine de l'aimant de levage sur l'acier et permettra un positionnement plus précis de l'aimant de levage. Lorsque l'aimant de levage est dans la position désirée, soulevez lentement le levier / la came en position verticale pour engager l'aimant de levage sur l'acier. Relâchez la charge en déplaçant la poignée de dégagement de la came vers le bas pour libérer les coins arrière de l'élevateur de la charge. L'utilisation de la vis Jack ou d'un levier sous la bride avant peut être nécessaire pour libérer l'aimant de levage si le dispositif de libération de la came a été accidentellement positionné du bord de la charge. La vis Jack est un dispositif de libération de secours.

CERTIFICATION ANNUELLE D'ESSAIS DE DÉGAGEMENT

Un essai annuel de dégagement, effectué par une usine d'essais approuvée, est recommandé afin d'assurer un rendement optimal de votre aimant. Dans un environnement de « conditions idéales », une série d'essais de dégagement déterminera la limite de charge d'utilisation réduite de votre aimant. La limite de charge d'utilisation doit rencontrer ou dépasser la valeur indiquée sur votre aimant de levage. Si la limite de charge d'utilisation est rencontrée, l'aimant de levage peut être remis en usage et programmé pour un autre essai de dégagement à être effectué l'année suivante. Les résultats de cet essai permettent à l'opérateur ou l'utilisateur de savoir que l'aimant de levage rencontre les normes de levage du fabricant.

UN CERTIFICAT D'ESSAIS DE DÉGAGEMENT remis à la conclusion de l'essai permet à l'opérateur ou à l'utilisateur de connaître le rendement de l'aimant de levage.

INSTRUCTIONS D'EXPÉDITION POUR L'ÉTALONNAGE DE L'AIMANT

Note : le client est responsable des expéditions en provenance et en direction de Industrial Magnetics, Inc. et de toutes réparations autorisées de l'aimant de levage. Veuillez contacter notre service à la clientèle au 1-(888) 582-0822 pour obtenir votre numéro de client pour matériel fourni (CSM). Vous devrez alors fournir un numéro de commande pour la procédure d'essai décrite à la section « Étalonnage ». Pour connaître les frais actuels de cette procédure, téléphonez au numéro indiqué ci-dessus. En plus de retourner votre aimant de levage, veuillez inclure vos coordonnées et votre adresse d'expédition et envoyer le tout à :

Industrial Magnetics, Inc. 1385 S M 75, Boyne City, MI 49712

CSM# _____, Attn : Quality Assurance, Calibration.

COMMENTAIRES, PRÉOCCUPATIONS OU INFORMATIONS RELATIFS À LA GARANTIE

Nous croyons que Industrial Magnetics, inc. offre la meilleure gamme d'aimants de levage actuellement disponible sur le marché. Cette unité a été conçue et fabriquée avec grande fierté. Veuillez diriger vos commentaires, vos préoccupations et vos questions relatifs à la garantie à notre service à la clientèle au 1-888-582-0822. Nous sommes heureux d'avoir l'occasion de vous servir!