



### CONVEYOR LINE

## MAGNETIC SKATE RAIL

Magnetic Skate Rail is ideal for use in conjunction with Magnetic Transfer Conveyors in stacking, destacking and press feeding applications. These products work together to automate sheet handling in a variety of industries including Automotive, Office Furniture and Appliance. Typically positioned on the outside edge of a steel blank and parallel to magnetic transfer conveyor(s), the powerful magnets hold steel blanks securely up against a series of rollers, preventing flexing or bending of the sheet as it is conveyed. The neoprene rollers allow blanks to roll easily, without marring, into the press. The magnet position can be adjusted to accommodate the size and thickness of different blanks.

### Applications:

- » Stacking/Destacking Lines
- » Press Feeding

### Benefits:

- » Prevents bending or flexing of large sheets during transfer, outboard of magnetic conveyors
- » Reduces the need for additional magnetic conveyors

### Specifications:

- » Heavy-Duty all welded mild steel construction
- » Industrial grade enamel painted finish
- » High strength ceramic magnet
- » 5/16" magnet height adjustment
- » 1/2"-13 tapped mounting holes
- » 2-1/4" dia. x 9/16" face neoprene rollers

| MAGNET<br>**LENGTH | MAGNET<br>WIDTH (A) | MAGNET<br>HEIGHT (B) | WIDTH<br>(C) | HEIGHT<br>(D) | WT.<br>LBS.  |
|--------------------|---------------------|----------------------|--------------|---------------|--------------|
| Customer Specified | 19/16"              | 11/16"               | 4"           | 27/16"        | 8.2 Lbs./Ft. |



### Skate Rail Dimensions:

- » **Length\*\*** - Provided in customer specified lengths
- » Mounting hole position varies with magnet length

### Installation:

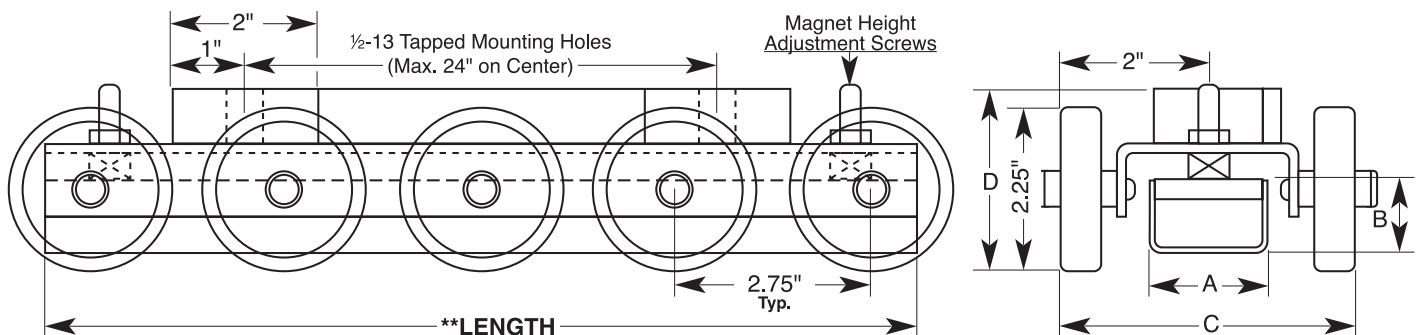
- » To ensure the right magnet for your application we ask for project specifications prior to ordering
- » Non-ferrous mounting framework is suggested for best results.

### FEATURES:

- » Powerful permanent magnetic circuit
- » Adjustable magnetic strength for use with different gauge blanks
- » Neoprene roller wheels prevent scratching

### OPTIONS:

- » Customized Designs & Lengths
- » 2" diameter stainless steel roller wheels
- » Staggered wheel configurations



TOLL FREE **1.888.582.0823** [imi@magnetics.com](mailto:imi@magnetics.com)