



FANNERS

AIR ACTUATED SHEET FANNERS

Air Actuated ON/OFF Operation

Air Cylinder Permanent Magnetic Fanner:

Air Actuated Sheet Fanners have an air cylinder system that positions the magnet against or away from the face of the fanner for easy and safe removal of the fanner from the stack. Permanent Magnetic Fanners handle steel sheets of almost any length, width or shape. The sheets near the top of the stack separate instantly from a 3/4" to 1-1/2" gap, depending on sheet thickness and size.

Air Actuated Sheet Fanners:

- » Reduce costs & increase safety for destacking steel sheet stock
- » A powerful, Rare Earth magnetic field automatically separates sheets
- » As the top sheet is removed, the next sheet instantly fans up
- » Prevents prying apart sticky, oily, pre-finished or polished sheets
- » Eliminates die-damaging double blanking in automated operations
- » ON/OFF of an electromagnet with the benefit of a permanent magnet
- » Allows for mid stack change over

Air Spring Permanent Magnetic Fanner:

Air Spring Fanners have an air spring system that pushes the magnet inside toward the face of the fanner when air pressure is present. When the air pressure is turned off or disconnected the air spring will deflate and the magnet will move away from the face of the fanner creating air gap that in essence turns the magnet off. This removes the risk of having metal accidentally attracted to the fanner during transportation or stack changeovers.

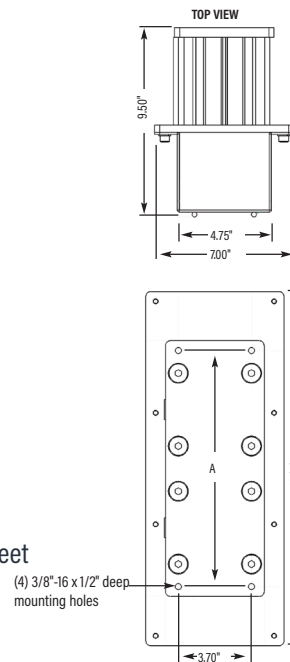
FEATURES:

- » Powerful, Rare Earth, magnetic circuit
- » On/Off capability helps prevent injury when introducing new materials to the fanner
- » "Fail-Safe" mode automatically returns the magnet to the "Off" position with loss of air pressure
- » Durable stainless steel welded cover construction
- » Fans from 30 gauge sheets to 3/16" plate
- » On/Off Indicator

OPTIONS:

- » Custom mounting hole patterns
- » Custom circuits for difficult applications

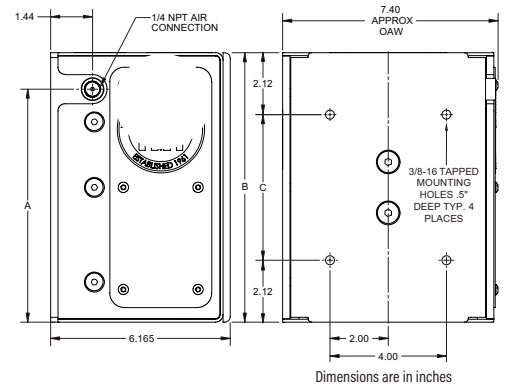
ASF18



Part Number	Overall Height	A	Cylinder Qty.	Weight
ARF09	9.00"	6.00"	1	36 lbs
ARF12	12.00"	6.00"	1	43 lbs
ARF15	15.00"	12.00"	2	60 lbs
ARF18	18.00"	12.00"	2	67 lbs
ARF21	21.00"	12.00"	2	74 lbs

SPECIFICATIONS:

- » 3/8 NPT Ports
- » 80 - 100 psi - clean dry air required
- » Requires control valve for operation (not supplied by IMI)



PART NUMBER	A	B	C	WEIGHT
ASF09	8.00"	9.25"	5.00"	34 lbs
ASF18	17.00"	18.25"	14.00"	68 lbs
ASF27	26.00"	27.25"	23.00"	102 lbs

Specifications:

- » 1/4 NPT Air Connection
- » 60 - 100 PSI - Clean dry air required
- » Valve Requirement - 3-Way, 2 Position

TOLL FREE 1.888.582.0823 imi@magnetics.com



FANNERS

AIR-KNIFE FANNERS

Sheet Fanners For Ferrous And Non-Ferrous Metals

Permanent Magnet Sheet Fanners with Air Knives allow for ferrous and non-ferrous sheets to be separated in stacking/destacking applications. While the magnet force will work with all ferrous metals, the air knives separate all non-ferrous metal by pushing air in between the sheets causing them to rise up from one another. Permanent Magnetic Fanners handle steel sheets of almost any length, width or shape. The sheets near the top of the stack separate instantly.

Air Knife Sheet Fanners::

Ut arum res consequasi sum numquo totatis et apisqui utas doluptia vellore ptempor autmoluptatium alitem as velest odignitem audae plit millab inciae magnite sed quo modiantia delignimpel isquo bea natur, odis molut molorrore consed quam idendae remporum ra et volupide mi, ommolupitae. Cilitio restiae nobitat ureiciatur reptatiorem.

- » Reduce costs & increase safety for destacking ferrous and non-ferrous sheets
- » A magnetic field automatically separates ferrous sheets
- » Powerful air knives automatically separate non-ferrous sheets
- » As the top sheet is removed, the next sheet instantly fans up
- » Prevents prying apart sticky, oily, pre-finished or polished sheets
- » Eliminates die-damaging double blanking in automated operations



PART NUMBER	OVERALL HEIGHT	A	# OF AIR KNIVES	WEIGHT
AKF09	9.00"	7.94"	4	27.0
AKF12	12.00"	9.88"	5	35.0
AKF15	15.00"	13.75"	7	43.0
AKF18	18.00"	15.69"	8	52.0
AKF21	21.00"	19.56"	10	60.0

Flow Per Nozzle (SCFM)	Pressure (PSI)
6.8	10
12.8	30
21.3	60
29.6	90

Specifications:

- Maximum Operating Pressure 100 PSI
- Maximum Operating Temperature 180°F

