



CrossArm Vacuum Lifters

Vacuum Lifters For Larger or Thicker Sheets

AUTOMATION

AG-04B

Industrial Magnetics, Inc. • 1385 M-75 South • Boyne City, MI 49712 • p: 888.582.0823 • f: 231.582.2704 • w: www.magnetics.com • e: imi@magnetics.com

Customer: _____ **Date:** _____

Material To Be Handled: _____

Material Temperature Is: _____

Material Dimensions:

Minimum Length: _____ Width: _____ Thickness: _____

Maximum Length: _____ Width: _____ Thickness: _____

Maximum Capacity Required (weight): _____

Power Available:

- Electric - specify: 115v/1ph/60hz 230-460v/3ph/60hz 230v dc
- Compressed Air No external power - Battery required

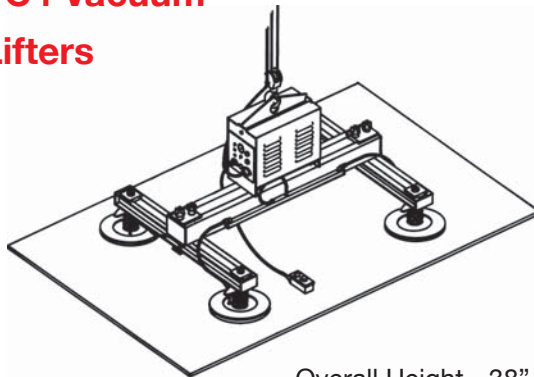
Options:

- Side Handle Parking Stand Audible Vacuum Warning
- Custom Pendant Control Wireless Pendant Control

Budget and Time Frame

- A. Is this a funded project? Yes _____ No _____
- B. What is the Budget Range for this Vacuum Lifter: _____
- C. What is the Time Frame for purchase and installation: _____

VC4 Vacuum Lifters



Overall Height - 38"

Ideal for most common sheet sizes of ferrous and non-ferrous metals. Stack, destack, load sheets, burn tables, press brakes, etc. ranging from 6' wide x 6' long to 8' wide x 16' long.

*All models come with load beam lengths of 5, 6 or 8 feet in length. For lengths of 6 and 8 feet add 21 lbs and 63 lbs to the base weight respectively.

Maximum Sheet Size for Specific Material Thickness

23-24 Gauge .0250"	18 Gauge .0478"	11-12 Gauge .1150"	6 Gauge .1950"
72" x 72" (6' x 6')	96" x 96" (8' x 8')	96" x 144" (8' x 12')	96" x 192" (8' x 16')

Capacity (lbs.)	*Base Wt. @ 5' (lbs.)	Power-Pac	Neoprene Pad Dia. (in.)
Shop Air - Venturi Unit			
With 3' Crossarm Beams			
680	315	V-40	7-1/4"
1,600	320	V-40	10-5/8"
2,400	335	V-40	12-1/4"
3,200	355	V-40	14-1/4"
With 4' Crossarm Beams			
680	325	V-40	7-1/4"
1,600	330	V-40	10-5/8"
2,400	345	V-40	12-1/4"
3,200	355	V-40	14-1/4"

Electric Unit

With 3' Crossarm Beams			
680	360	UNIVAC-250	7-1/4"
1,600	450	UNIVAC-330	10-5/8"
2,400	465	UNIVAC-330	12-1/4"
3,200	485	UNIVAC-330	14-1/4"
5,600	535	UNIVAC-330	19"
8,000	970	UNIVAC-1500	23"
With 4' Crossarm Beams			
680	370	UNIVAC-250	7-1/4"
1,600	460	UNIVAC-330	10-5/8"
2,400	475	UNIVAC-330	12-1/4"
3,200	495	UNIVAC-330	14-1/4"
5,600	545	UNIVAC-330	19"
8,000	980	UNIVAC-1500	23"

Key Markets

Fabrication, Stamping, Steel Service Centers, Appliance, Office Furniture

Related Products

Transporter® MagVac, All Material Handling Solution Magnets For Ferrous Metal

CrossArm Vacuum Lifters

Vacuum Lifters For Larger or Thicker Sheets

Customer: _____ Date: _____

Material To Be Handled: _____

Material Temperature Is: _____

Material Dimensions:

Minimum Length: _____ Width: _____ Thickness: _____

Maximum Length: _____ Width: _____ Thickness: _____

Maximum Capacity Required (weight): _____

Power Available:

- Electric - specify: 115v/1ph/60hz 230-460v/3ph/60hz 230v dc
- Compressed Air No external power - Battery required

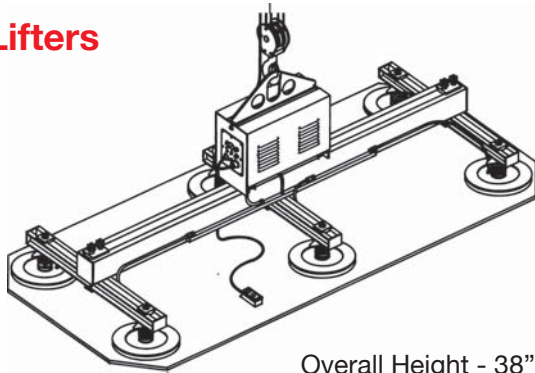
Options:

- Side Handle Parking Stand Audible Vacuum Warning
- Custom Pendant Control Wireless Pendant Control

Budget and Time Frame

- A. Is this a funded project? Yes _____ No _____
- B. What is the Budget Range for this Vacuum Lifter: _____
- C. What is the Time Frame for purchase and installation: _____

VC6 Vacuum Lifters



Ideal for semi-long and wide materials of moderate weight or extra support of thin material. Use to lift on applications where material is 8' wide x 23-1/2' long.

*All models come with load beam lengths of 5, 6, 8, 10, 12 and 15 feet in length. For lengths of 6, 8, 10, 12 and 15 feet add 21, 63, 105, 147 and 210 pounds to the base weight respectively.

Maximum Sheet Size for Specific Material Thickness

23-24 Gauge .0250"	18 Gauge .0478"	11-12 Gauge .1150"	6 Gauge .1950"
72" x 96" (6' x 8')	96" x 144" (8' x 12')	96" x 216" (8' x 18')	96" x 270" (8' x 23-1/2')

Capacity (lbs.)	*Base Wt. @ 5' (lbs.)	Power-Pac	Neoprene Pad Dia. (in.)
-----------------	-----------------------	-----------	-------------------------

Shop Air - Venturi Unit

With 3' Crossarm Beams			
480	380	V-40	5"
1,200	385	V-40	7-1/4"
2,400	420	V-40	10-5/8"
3,600	430	V-40	12-1/4"
With 4' Crossarm Beams			
480	390	V-40	5"
1,200	395	V-40	7-1/4"
2,400	430	V-40	10-5/8"
3,600	440	V-40	12-1/4"

Electric Unit

With 3' Crossarm Beams			
480	405	UNIVAC-250	5"
1,200	500	UNIVAC-330	7-1/4"
2,400	535	UNIVAC-330	10-5/8"
3,600	560	UNIVAC-330	12-1/4"
4,800	580	UNIVAC-330	14-1/4"
8,400	930	UNIVAC-1500	19"
12,000	1216	UNIVAC-1500	23"
With 4' Crossarm Beams			
480	415	UNIVAC-250	5"
1,200	510	UNIVAC-330	7-1/4"
2,400	545	UNIVAC-330	10-5/8"
3,600	570	UNIVAC-330	12-1/4"
4,800	590	UNIVAC-330	14-1/4"
8,400	940	UNIVAC-1500	19"
12,000	1226	UNIVAC-1500	23"