



Vacuum Lifters

Vacuum Lifters For Handling Sheet Metal

AUTOMATION

AG-04A

Industrial Magnetics, Inc. • 1385 M-75 South • Boyne City, MI 49712 • p: 888.582.0823 • f: 231.582.2704 • w: www.magnetics.com • e: imi@magnetics.com

BENEFITS:

- Increase productivity, reducing cost
- One person operation
- Eliminate material damage
- Versatile handling of most materials
- Improve storage space
- Provide a low maintenance lifter
- Durable for long lasting service

FEATURES:

- Ball mounted vacuum pads
- Push-on hose with barbed fittings (designed for 250 psi)
- Individual slide valve for each vacuum pad allows manual isolation of vacuum pads not needed for attachment
- Muffler is spin on type for easy change out
- **Conforms to ASME B30.20 standards**

Twin Crossarms with 4 Pads Vacuum Lifter (VC4)

Ideal for most common sheet sizes of ferrous and non-ferrous metals. Stack, destack, load sheets, burn tables, press brakes, etc. ranging from 6' wide x 6' long to 8' wide x 16' long.

Maximum Sheet Size for Specific Material Thickness

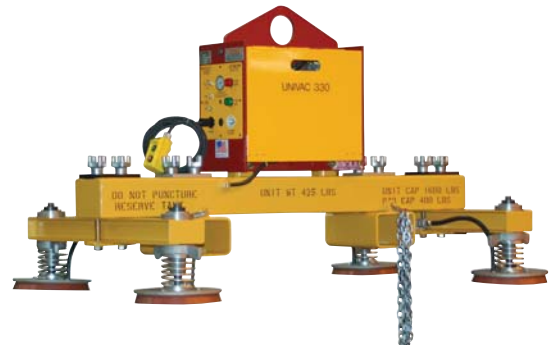
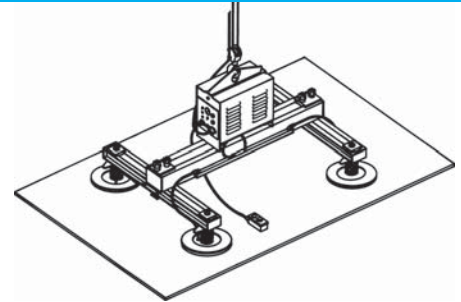
23-24 Gauge	18 Gauge	11-12 Gauge	6 Gauge
.0250"	.0478"	.1150"	.1950"
72" x 72" (6' x 6')	96" x 96" (8' x 8')	96" x 144" (8' x 12')	96" x 192" (8' x 16')

Style

Shop Air - Venturi
Electric

Lifting Capacity (lbs)

680, 1600, 2400, 3200
680, 1600, 2400, 3200,
5600, 8000



See Tech Sheet AG-04B For More Information On These Products

Triple Crossarms with 6 Pads Vacuum Lifter (VC6)

Ideal for semi-long and wide materials of moderate weight for extra support of thin material. Use to lift on applications where material is up to 8' wide x 23-1/2' long.

Maximum Sheet Size for Specific Material Thickness

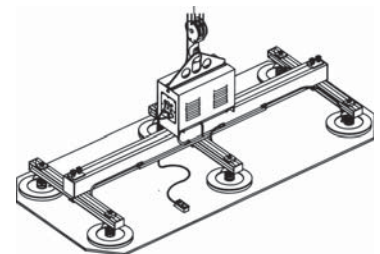
23-24 Gauge	18 Gauge	11-12 Gauge	6 Gauge
.0250"	.0478"	.1150"	.1950"
72" x 96" (6' x 8')	96" x 144" (8' x 12')	96" x 216" (8' x 18')	96" x 270" (8' x 23-1/2')

Style

Shop Air - Venturi
Electric

Lifting Capacity (lbs)

480, 1200, 2400, 3600
480, 1200, 2400, 3600,
4800, 8400, 12000



See Tech Sheet AG-04B For More Information On These Products

Key Markets

Fabrication, Stamping, Steel Service Centers, Appliance, Office Furniture

Related Products

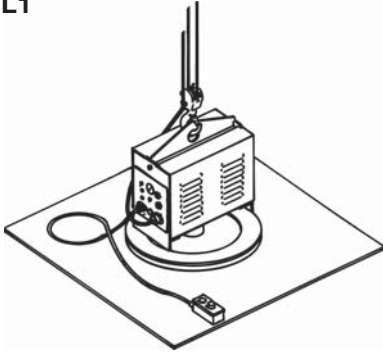
Transporter® MagVac, All Material Handling Solution Magnets For Ferrous Metal

Vacuum Lifters

Vacuum Lifters For Handling Sheet Metal

Single Load Beam Vacuum Lifters (VL1, VL2 & VL4)

VL1



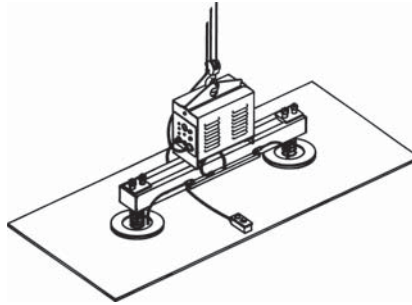
Ideal for lightweight material with small, square shaped surfaces.

Maximum Sheet Size for Specific Material Thickness

23-24 Gauge .0250"	18 Gauge .0478"	11-12 Gauge .1150"	6 Gauge .1950"
36" x 36" (3' x 3')	48" x 48" (4' x 4')	72" x 72" (6' x 6')	96" x 96" (8' x 8')

Style	Lifting Capacity (lbs)
Shop Air - Venturi	680, 1600, 2400, 3200
Electric	680, 1600, 2400, 3200,

VL2



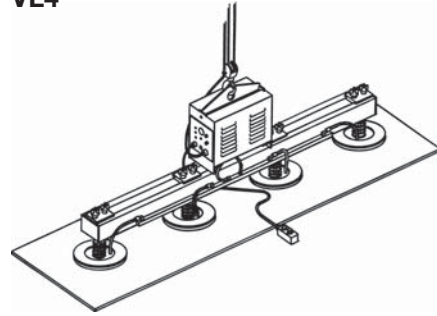
Ideal for lifting narrow, rectangular shaped material up to 8' wide x 16' long.

Maximum Sheet Size for Specific Material Thickness

23-24 Gauge .0250"	18 Gauge .0478"	11-12 Gauge .1150"	6 Gauge .1950"
36" x 72" (3' x 6')	48" x 96" (4' x 8')	72" x 144" (6' x 12')	96" x 192" (8' x 16')

Style	Lifting Capacity (lbs)
Shop Air - Venturi	340, 600, 800, 1,200, 1,600 and 2,800
Electric	340, 600, 800, 1,200, 1,600 and 2,800

VL4



Ideal for lifting long, narrow, rectangular shaped material up to 8' wide x 26-2/3' long.

Maximum Sheet Size for Specific Material Thickness

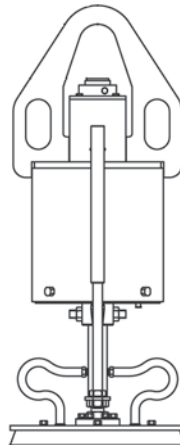
23-24 Gauge .0250"	18 Gauge .0478"	11-12 Gauge .1150"	6 Gauge .1950"
36" x 144" (3' x 12')	48" x 200" (4' x 16-2/3')	72" x 300" (6' x 25')	96" x 320" (8' x 26-2/3')

Style	Lifting Capacity (lbs)
Shop Air - Venturi	680, 1200, 1600, 2400, and 3200
Electric	680, 1200, 1600, 2400, 3200, and 5600

Mechanical Vacuum Lifters (VL1M)

BENEFITS:

- No outside power source is required
- Color-coded vacuum indicator rods alert the operator of vacuum level
 - GREEN = Safe to lift with additional vacuum available
 - YELLOW = Minimum vacuum remaining, begin to set load down
 - RED = Hazardous condition
- Auto cycling valve provides a hands-free attach and release function
- Large lifting bail accommodates a wide range of hook sizes



See Tech Sheet AG-04D For More Information On These Products

Vacuum Lift Stands



A) Lifter with stand in stored position. B) Lifter with stand in use.