



LIFT SYSTEMS

MAGNETIC SHEET LIFTERS

Permanent Magnet Sheet/Plate Lift Systems:

The Magnetic Sheet Lifter de-stacks steel sheets from pallets, racks and more. The unique design of this permanent magnetic lifting system allows one person to safely and effectively move and load sheets onto cutting tables, shear beds and other fabrication equipment.

The Magnetic Sheet Lifter features a series of adjustable position permanent magnetic lifting heads to lift a wide variety of sheet lengths and widths. To release the sheets from the powerful magnetic heads, just push both release buttons on the handles. This activates the air cylinders located on the magnetic heads. Once activated, the cylinders lift the magnets up into a housing and release the sheet in its desired location.

Applications:

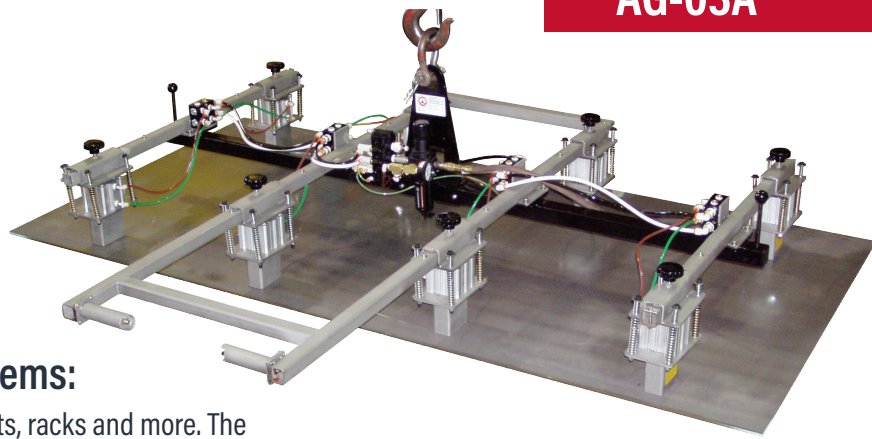
- » Stacking and destacking sheet steel
- » Loading shears, punch presses, press brakes and burn tables
- » Moving sheets or plates from pallets or racks to work stations
- » Lifts 16 guage to 1/4" steel sheet stock

Operation Requirements:

- » Minimum shop air pressure: 80 psi
- » Minimum 3/4 inch dia. supply hose

NOTES:

1. Magnet faces must be kept clean and free of slag, chips and shavings for proper operation.
2. See reverse side for typical magnet configurations and standard dimensions.



SL8-72 Shown Here
Lifting 16 Gauge Sheet

Benefits:

- » Increases production and eliminates shop air costs
- » Allows one person to safely move sheet steel
- » Reliability of a permanent magnetic lift with the ON/OFF capabilities of an electromagnet
- » Fail-safe design (No battery backup required)
- » Adjustable magnet positions lift a wide variety of sheet lengths and widths.
- » Operates without the heat build up of electromagnets
- » Won't drop load due to power outages or system air loss
- » Only requires shop air for operation

FEATURES:

- » TP80 Rare Earth Transporter® Magnets
- » Structural tube framework
- » Durable, welded construction
- » Adjustable magnet locations
- » Pneumatic release buttons on handles
- » Adjustable magnet head assembly locations
- » Pneumatic control valve provided
- » 1/2 NPT inlet fittings
- » Filter regulator with pressure gauge
- » 80 mm double acting compact cylinders

OPTIONS:

- » Ten magnet configuration for sheets longer than 8 ft
- » Load sensor for fail/safe release operation
- » Special designs for customer specified sheet sizes or blanks
- » Custom handle and release mechanism configurations for specific applications

TOLL FREE 1.888.582.0823 imi@magnetics.com

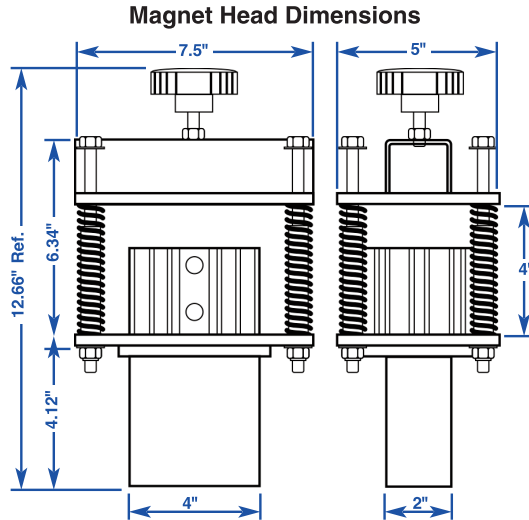


MAGNETIC SHEET LIFTERS

Typical System Designs and Dimensions

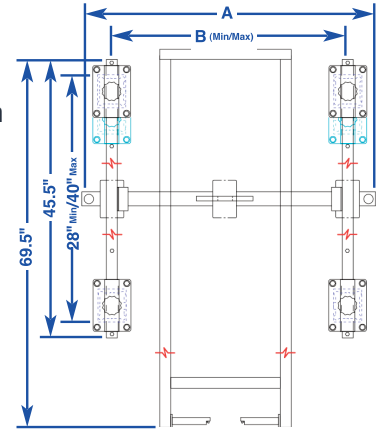
Factors to Consider:

- » 1. Condition of Sheet Surface. Flat, clean sheets allow for the best magnetic hold.
- » 2. Transfer speeds and obstacles. Fast crane speeds and collisions with other objects create forces upon the load that may shift or loosen the grip of the magnets.
- » 3. Minimum sheet size of 3' x 3' x 16 ga. for proper lifting and operation.

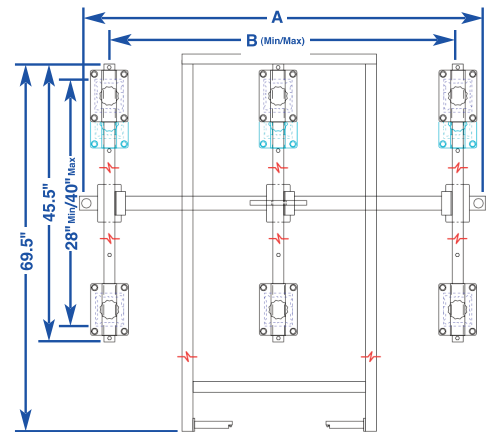


PART NUMBER	SHEET LENGTH MIN./MAX	SHEET WIDTH MIN./MAX.	LENGTH A	LENGTH B MIN./MAX.
SL4-48	36"/60"	36"/60"	56.2"	32"/48"
SL6-60	50"/84"	36"/60"	68.2"	44"/60"
SL8-72	78"/96"	36"/60"	80.2"	56"/72"

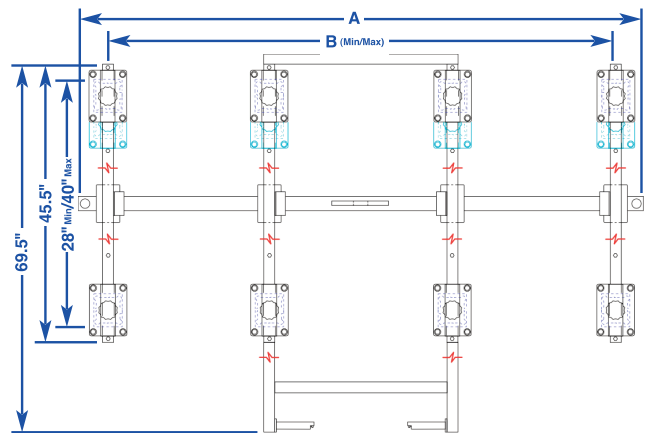
Typical 4 Magnet (SL4-48) Sheet Lifter



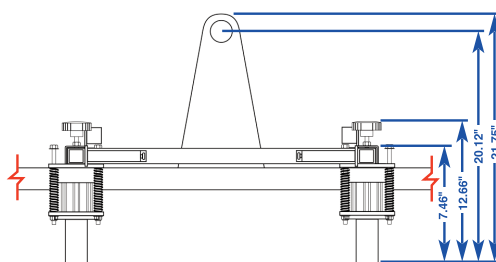
Typical 6 Magnet (SL6-60) Sheet Lifter



Typical 8 Magnet (SL8-72) Sheet Lifter



Common Sheet Lifter Dimensions



Key Markets

Fabrication, Appliance, Steel Service Centers

Related Products

Sheet Fanners, Sheet Handlers, TriggerLifts®, Power Grips