



PNEUMATIC LINE MAGNETS

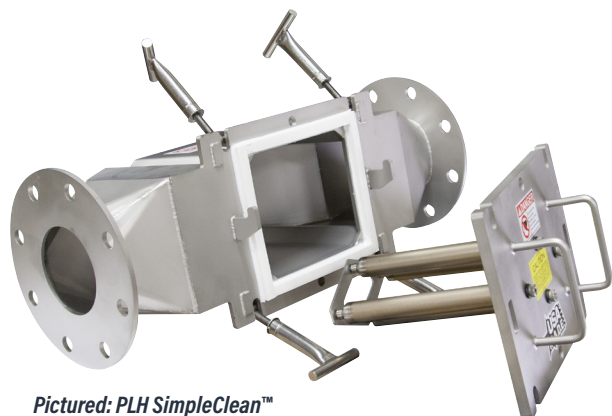
PNEUMATIC LINE HOUSING ■ ■

Incorporates a series of UHI-52™ MgOe Rare Earth tubes on staggered centers. This ensures all product flowing through will make repeated contact with the magnets. The resulting capture rate of ferrous and weakly magnetic stainless contaminants far exceeds any other magnetic separator available for this type of application. Suitable for processing dry, powder, and granular materials.

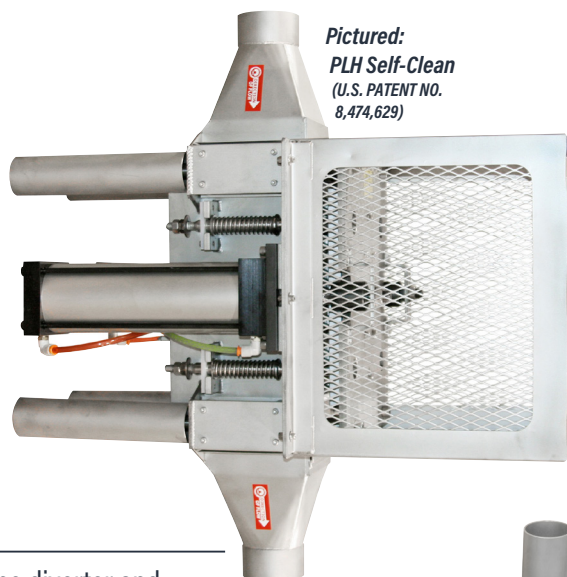
- » SimpleClean™, EZ-Clean & Self-Clean (U.S. PAT. NO. 8,474,629) Models available
- » Food Grade Finish Standard
- » Ideal for dilute-phase pneumatic systems operating up to 15 psi
- » Nedox® coated tubes standard (See page 4, "Finishes and Protective Coatings")
- » Use ahead of processing equipment and bulk load outs to assure product purity and protect machinery from tramp metal damage



Pneumatic Line Housing (EZ-Clean Shown)



Pictured: PLH SimpleClean™ with custom flanges and mounting design

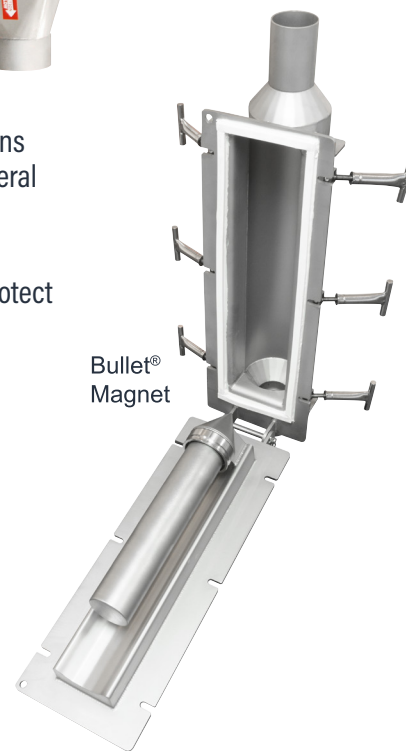


Pictured: PLH Self-Clean (U.S. PATENT NO. 8,474,629)

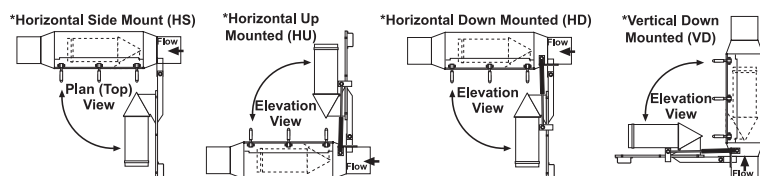
BULLET® MAGNETS ■ ■

Bullet magnets have a solid, aerodynamic, stainless steel nose cone diverter and magnet assembly that is designed to maintain a balanced flow through the housing, maintaining uniform velocity in line flow. Ideal for dilute phase systems, typical applications include: processing of powders, flour, chemical, resin, food stuff, pharmaceutical and mineral materials.

- » Can be installed in pneumatic line systems operating up to 15 psi
- » Use ahead of processing equipment and bulk load outs to assure product purity and protect machinery from tramp metal damage
- » Helps extend the life of filters and screens
- » Cart mounted models available for truck and rail car bulk unloading



Bullet® Magnet



Find Pneumatic Line Magnets Online And Download Technical Sheets At...

<http://www.magnetics.com/tg/pneumatic.asp>

Download Or Request Pneumatic Tech Sheet