



Suspended Overhead Magnets

Applications Sheet

TRAMP METAL

TG-12Q

Customer _____ Quote No. _____ Ind. Code _____ Date _____

1. Product: FIELDS HIGHLIGHTED IN RED ARE REQUIRED INFORMATION

Description: _____ Size range: _____ to _____ Max Lump Size: _____

Moisture % _____ Temperature range: _____ to _____ °F Volume/Rate _____ Bulk Density _____

Product width on belt: _____ Product/burden depth range: _____ to _____

Tramp Metal: Size Range _____ to _____ Description of Tramp Metal: _____

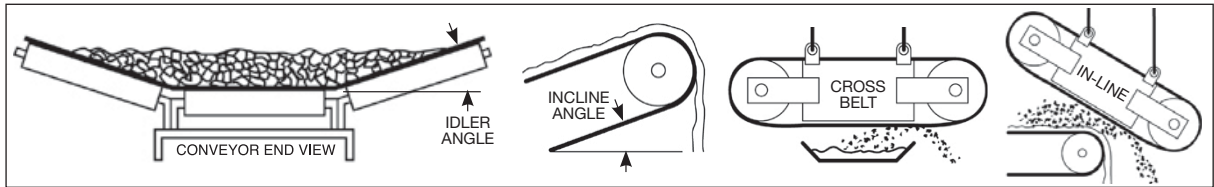
2. Application Specifications:

CONVEYOR: Belt width (flat): _____ Belt Speed: _____ Belt Thickness: _____ Idler Angle: _____ °

Incline Angle: _____ ° Head Pulley Material: _____ Head Pulley Diameter: _____ Lagging Thickness: _____

How much ferrous metal is under the conveyor: _____

NOTE: To maximize the performance, the conveyor section below the magnet and 18"-24" on either side of the magnet should be non-ferrous.



MAGNET: Cleaning Method: Self-Cleaning (Choose orientation below) Manual Clean

Type: Permanent or Electromagnet (Input Voltage _____ Hertz _____ Phase _____ NEMA _____)

Suspension height of magnet (from lowest belt surface): _____

Orientation to Conveyor: In-Line or Cross Belt (Discharge from Drive Side: Right or Left)

NOTE: The Drive and Expansion Tank (Electro Only) standard location is on high point side of the magnet case during incline installations.

Special Motor Required: Brand/Model _____ Voltage _____ Hertz _____ Phase _____ NEMA _____

Special Belting and/or Cleats Required (See options below or please specify): _____

BUDGET & TIME FRAME: Funded project: Yes No Budget range for magnet: _____

Time Frame for purchase and installation: _____

OPTIONAL EQUIPMENT

Self-Cleaning Magnets

- Motor starter
- Explosion proof motor and junction box (NEMA 9)
- Dust Hood
- Stainless steel wear plate
- Impact package: Stainless clad belt, lagged drive pulley
- Zero speed switch
- Turnbuckles
- High temperature oil

Belt & Cleat Options

- Option 1 (Std)
220 2 ply Rubber Belt, R2S Flexco Lacing, Vulcanized Cleats
- Option 2
220 2 ply Rubber Belt, R2S Flexco Lacing, 304 Stainless Steel Cleats
- Option 3
Urethane Belt 150 PIW, R2S Flexco Lacing, Vulcanized Cleats
- Option 4
220 2 ply Rubber Belt, R2S Flexco Lacing, 304 Stainless Steel Cleats and Belt Cladding
- Option 5
H.D. 330 3 ply Rubber Belt, R2S Flexco Lacing, 304 Stainless Cleats

Manual Clean Magnets

- EZ-Clean stripper pan
- EZ-Clean swiper bar
- Turnbuckles

Power Supplies

- Volt Meter AC DC
- Amp Meter AC DC
- Line Fuse AC DC

Internal Use

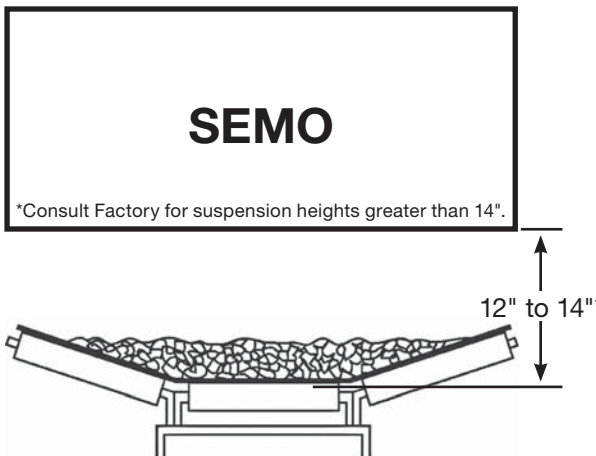
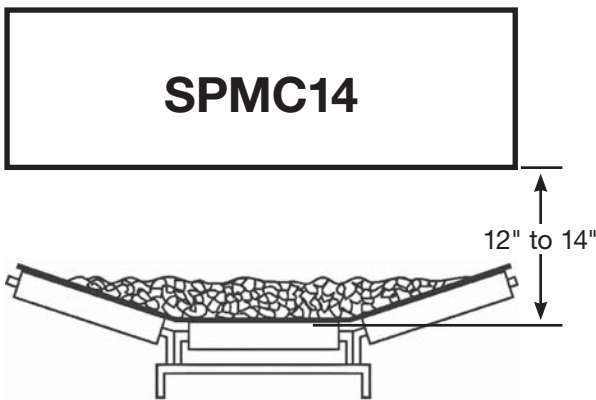
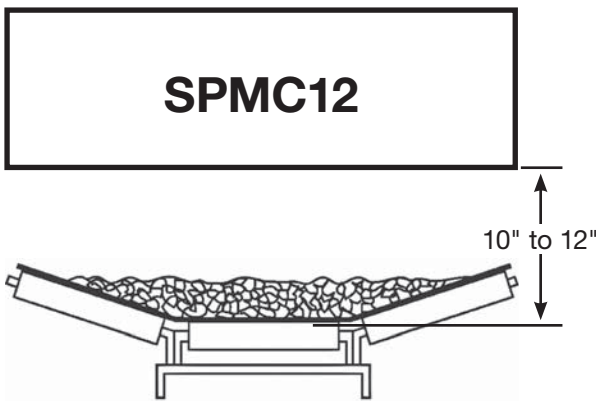
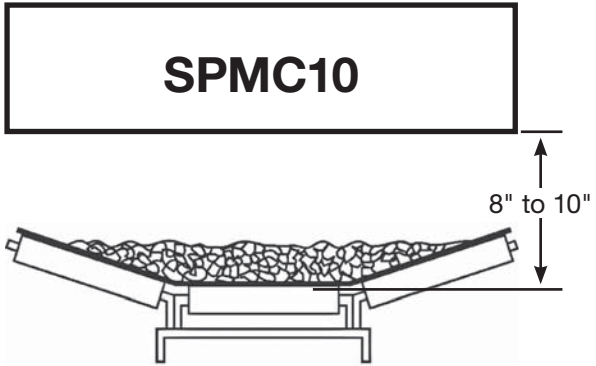
Type of magnet(s) recommended: _____ Qty: _____

Comments/Concerns: _____

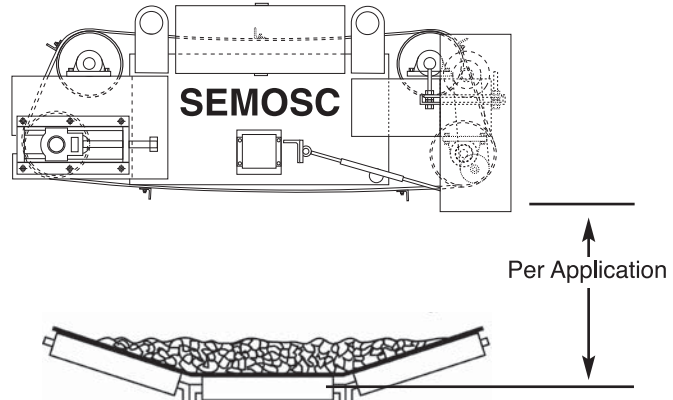
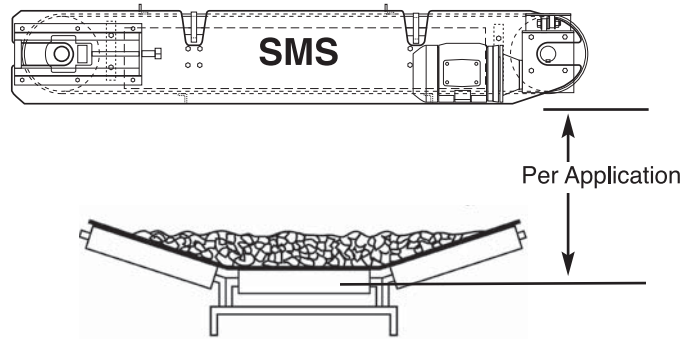
Suspended Overhead Magnets

Rule Of Thumb For Suspension About The Belt

MANUAL CLEAN



SELF-CLEAN



Notes

- Suspension height is based on product depth
- Lower suspension heights may increase the amount of metal captured
- Ferrous metal embedded or trapped under other products may not be captured
- Recommended ferrous metal free zone 18"-24" either side of the magnet and directly underneath
- Electromagnets are used to pick up large tramp metal and always used for large bucket teeth 20lbs. plus
- For self cleaning magnets, the suspension height needs to include the normal belt sag of 1"-2"
- As a rule of thumb - electromagnets are normally (1) size larger than the conveyor belt due to the magnetic field configuration. (Exception: in-line applications)

CALCULATIONS

Feed Capacity:	$\frac{\text{Tons Per Hour}}{\text{Specific Weight}} \times 2000$ - cubic feet per hour
Burden width in feet:	$(\text{Belt width} - 6") / 12"$
Burden depth in inches:	$\frac{\text{Feed capacity (cu. ft./hr.)} \times 1.5}{\text{Belt speed (fpm)} \times \text{burden width (ft.)} \times 5}$