



GRAVITY (IN-STREAM)

ROUND DRAWER-IN-HOUSING

Ideal for low-profile applications

Our Round Drawer-In-Housing magnetic separators are designed for ferrous metal separation in processing systems. The Round Drawer-In-Housing Series is an in-stream magnet for dry, free flowing powders and granular products. Ideal for markets such as food, feed, grain and plastics, separation is achieved with magnetic tubes assembled in a drawer configuration.

The Round Housing comes standard models feature one or two rows of magnetic tubes. Taller model features (2) rows of tubes aligned on alternating centers, wherein the product will flow in a zigzag pattern while contacting the magnetic tubes. The cascade effect ensures maximum tramp metal separation by forcing product to repeatedly contact the magnetic tubes for optimum separation. An all-welded stainless-steel housing featuring a food-grade finish includes a silicone gasket with T-handle clamps for positive sealing.

The Round Housing is available with inlet/outlet sizes in 4", 5", 6" and 8" diameter. Sidewall diverters increase product contact with magnetic surfaces, and a drawer guard prevents product from shelving.

All models available with Ceramic or Rare Earth tube assemblies. Rare Earth models feature IMI's exclusive Opti® Series family of 1" OD magnetic circuits (See tech sheet TG-03A).

The tubes must be cleaned regularly to prevent build-up and wash-off of the collected ferrous metal. Simply wipe the captured metal off the tubes over a collection container.



FEATURES:

- » All welded stainless steel housing
- » Food grade finish and construction
- » Silicone gasket with T-handle clamps for positive seal
- » Standard inlet/outlet sizes in 4", 6" and 8" diameter
- » Available in 1 & 2 row magnet configurations
- » Magnetic tubes are located on 2" centers within each row
- » Sidewall diverters to increase product contact with magnet
- » Drawer guard to prevent product shelving

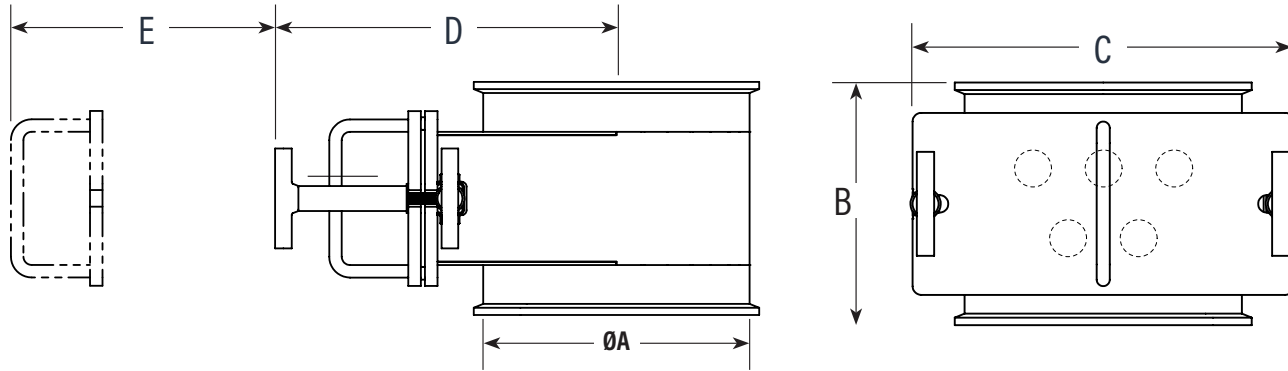
OPTIONS:

- » Custom designed inlet and/or outlet flanges
- » Tubes located on 3" centers for difficult flow products
- » Wear resistant coating for abrasive products
- » Individual removable tubes for non food grade units
- » Ceramic magnets available
- » Sanitary construction available
- » Metal detectable, X-Ray inspectable gasket material

TOLL FREE 1.888.582.0821 imi@magnetics.com



Round Drawer-In-Housing Dimensions And Specifications:



STANDARD MODEL	INLET O.D. (A)	OVERALL HEIGHT (B)	FACE WIDTH (C)	HOUSING CENTER TO FACE (D)	DRAWER REMOVAL CLEARANCE (E)	TUBE ROWS	TUBE QTY.	WEIGHT (LBS)	CAPACITIES (LBS/HR)				
									FT3/HR	40 LBS/ FT3	50 LBS/ FT3	60 LBS/ FT3	70 LBS/ FT3
RH04000R1FG	4.00	5.00	7.00	8.25	5.94	1	1	11	190	7,600	9,500	11,400	13,300
RH05000R1FG	5.00	5.00	8.00	8.75	6.44	1	2	13	250	10,000	12,500	15,000	17,500
RH05000R2FG	5.00	7.00	8.00	8.75	6.44	2	3	18	250	7,500	9,375	11,250	13,125
RH06000R1FG	6.00	5.00	9.00	9.25	6.94	1	2	16	400	16,000	20,000	24,000	28,000
RH06000R2FG	6.00	7.00	9.00	9.25	6.94	2	3	22	400	12,000	15,000	18,000	21,000
RH08000R1FG	8.00	5.00	11.00	10.25	7.94	1	3	22	700	28,000	35,000	42,000	49,000
RH08000R2FG	8.00	7.00	11.00	10.25	7.94	2	5	32	700	21,000	26,250	31,500	36,750

Note: All dimensions are stated in inches

