



Round Drawer-In-Housing

TRAMP METAL

TG-03F

All models available with Ceramic or Rare Earth tube assemblies.
Rare Earth models feature IMI's exclusive Opti Series family of 1" OD magnetic circuits

Application Introduction:

- Designed for ferrous metal separation in dry processing systems
- Magnetic separation is achieved with magnetic tubes assembled in a drawer
- Tubes are aligned on alternating centers for multiple row drawer configurations forcing the product flow in a zig-zag pattern while contacting the magnetic tubes
- The cascade effect ensures maximum tramp metal separation by causing product to have repeated and intimate contact with magnetic tubes
- As ferrous metal enters the magnetic field, it is captured by the tubes and separated from the product flow
- The tubes must be cleaned regularly to prevent build-up and wash-off of the collected ferrous metal

Over a container, simply wipe collected metal off the tubes. Collected metal falls off.

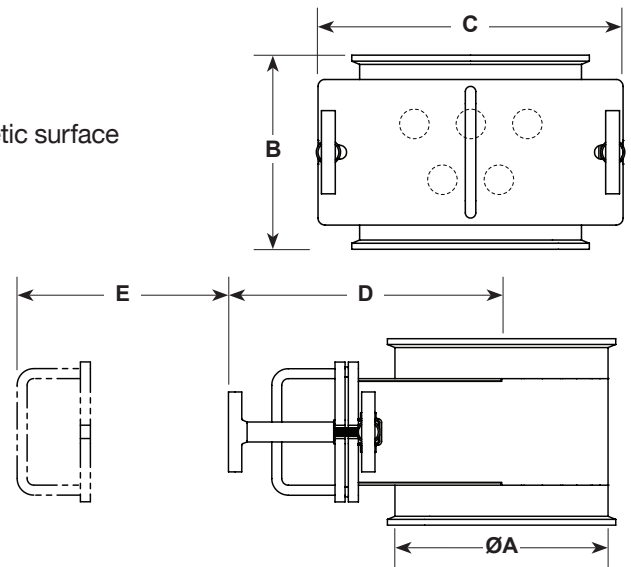


Features & Specifications:

- All welded stainless steel housing
- Food grade finish and construction
- Silicone gasket with T-handle clamps for positive seal
- Standard inlet/outlet sizes in 4", 6" and 8" diameter
- Available in 1 & 2 row magnet configurations
- Magnetic tubes are located on 2" centers within each row
- Sidewall diverters to increase product contact with magnetic surface
- Drawer guard to prevent product shelving

Options:

- Custom designed inlet and/or outlet flanges
- Tubes located on 3" centers for difficult flow products
- Wear resistant coating for abrasive products
- Individual removable tubes for non food grade units
- Ceramic magnets available
- Sanitary construction available



Standard Part No.	Inlet O.D. A (in)	Height B (in)	Face Width C (in)	Housing Center to Clamp Handles D (in)	Drawer Removal Clearance E (in)	Rows of Tubes	# Of Tubes	Weight (lbs)	Capacities				
									ft ³ /hr	lbs/hr (@ 40 lbs/ft ³)	lbs/hr (@ 50 lbs/ft ³)	lbs/hr (@ 60 lbs/ft ³)	lbs/hr (@ 70 lbs/ft ³)
RH04000R1FG	4.00	5.00	7.00	8.25	5.94	1	1	11	190	7,600	9,500	11,400	13,300
RH05000R1FG	5.00	5.00	8.00	8.75	6.44	1	2	13	250	10,000	12,500	15,000	17,500
RH05000R2FG	5.00	7.00	8.00	8.75	6.44	2	3	18		7,500	9,375	11,250	13,125
RH06000R1FG	6.00	5.00	9.00	9.25	6.94	1	2	16	400	16,000	20,000	24,000	28,000
RH06000R2FG	6.00	7.00	9.00	9.25	6.94	2	3	22		12,000	15,000	18,000	21,000
RH08000R1FG	8.00	5.00	11.00	10.25	7.94	1	3	22	700	28,000	35,000	42,000	49,000
RH08000R2FG	8.00	7.00	11.00	10.25	7.94	2	5	32		21,000	26,250	31,500	36,750

Key Markets

Mid-stream magnets for dry, free flow powders to granular products; i.e. food, feed, grain, plastics, chemical

Related Products

Magnetic Tubes & Grates, Large Tube Housings, The Ox, Clean-Flows, Pipe Magnets

All Photos And Drawings Represent The Products At The Time Of Publication (10/19)