



RotoDrawer™

Optimum Separation for Difficult Flowing Products

TRAMP METAL

TG-03E

Industrial Magnetics, Inc. • 1385 M-75 South • Boyne City, MI 49712 • p: 888.582.0821 • f: 231.582.2704 • w: www.magnetics.com • e: imi@magnetics.com

APPLICATION:

- Capture and remove ferrous tramp metal particles from vertical product flows
- Ideal for products with a tendency to bridge
- Tubes must be cleaned regularly to prevent build-up and wash-off of the collected ferrous metal

INTRODUCTION:

Industrial Magnetics, Inc. has developed a rotary style Drawer-In-Housing Magnet to remove ferrous metal from powder & bulk processed products that have difficult flow characteristics and a tendency to bridge and choke when using traditional style magnetic separators.

The RotoDrawer™ features a motorized, cylindrical configuration of Rare Earth magnetic tubes on a horizontal plane that continually rotate through a gravity fed product stream. The rotational design, as well as our unique splitter bars on the Self-Cleaning models, serve to further break up any clumps of product and keep the flow moving through the housing while capturing any ferrous metal contamination.

The RotoDrawer™ is available in either a SimpleClean™ or Self-Cleaning design to simplify the removal of collected metal and prevent any metal wash-off back into the product stream. SimpleClean™ models feature an innovative and ergonomic design that facilitates routine cleaning of the magnet while preventing recontamination of the processing line. The magnetic drawer glides open on a fixed track and rotates into vertical orientation allowing the operator to easily remove and dispose of captured metal outside of the product flow. Self-Clean models use air cylinders to cycle the tubes through wiper seals that remove the collected metal into a receptacle outside of the product flow. Standard sizes range from 8"x8" to 18"x18" inlets and outlets, with custom designs and sizes available to fit your application.

FEATURES:

- Powerful UHI-50™ (50 MgOe) Rare Earth Circuit for optimum reach-out & surface holding strength
- 1" diameter tubes in a cylindrical pattern
- Food Grade Silicone Gasket Material
- 3/16" stainless steel housing and flanges
- Drawer and/or Guard Lock-Out
- Can be cleaned while motor is running (SimpleClean™)
- Positive locking clamps for drawer (SimpleClean™)
- Collection Pan for captured metal (Self-Clean)
- Compression Spring Assisted Seal Plate (Self-Clean)
- BUNA Wiper Seals (Self-Clean)
- Expanded metal guards (Self-Clean)
- Tool Free Guard Removal (Self-Clean)
- Air Cylinders, Regulator & Solenoid Valve (Self-Clean)
- All cylinders include magnetic pistons (Self-Clean)

Key Markets

Food, Feed & Grain, Bulk Powder, Dry Particulates

Related Products

Magnetic Drawer-In-Housings, Extractor/Split-Flow Magnets, Magnetic Tubes & Grates, The Ox®, Pipe Magnets

RotoDrawer™



SimpleClean™



Self-Cleaning



Shown: Self-Cleaning Model with Custom Motor and Optional Push-button drawer controls. Ask for details. (Note: Shown without top guarding.)

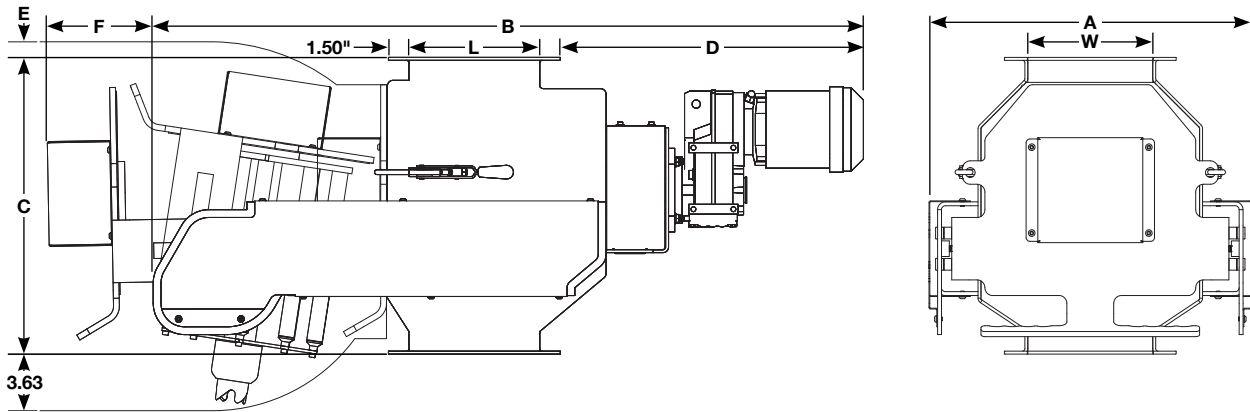
OPTIONS:

- Custom sizes & transitions available
- Capture Screen for Non-Ferrous Materials
- Housing finish & welding surface treatments
- Food Grade EPDM Gasket Material
- Other Stainless Steel Grades available
- Nedox® Coated Tubes - Provides protection from abrasive materials and is self-lubricating to help prevent build-up & galling
- MAGnanoSHIELD® Coated Tubes - FDA compliant, antimicrobial coating that offers 99.9999% microbe resistance to assorted bacteria and fungus strains
- Hydex® Wiperseals (Self-Clean)
- Push-button Controls (Self-Clean)
- Special Motors & Drive Packages (Self-Clean)

RotoDrawer™ Specifications

Drawings and Standard Model Information for Rotary Grate Drawer-In-Housings

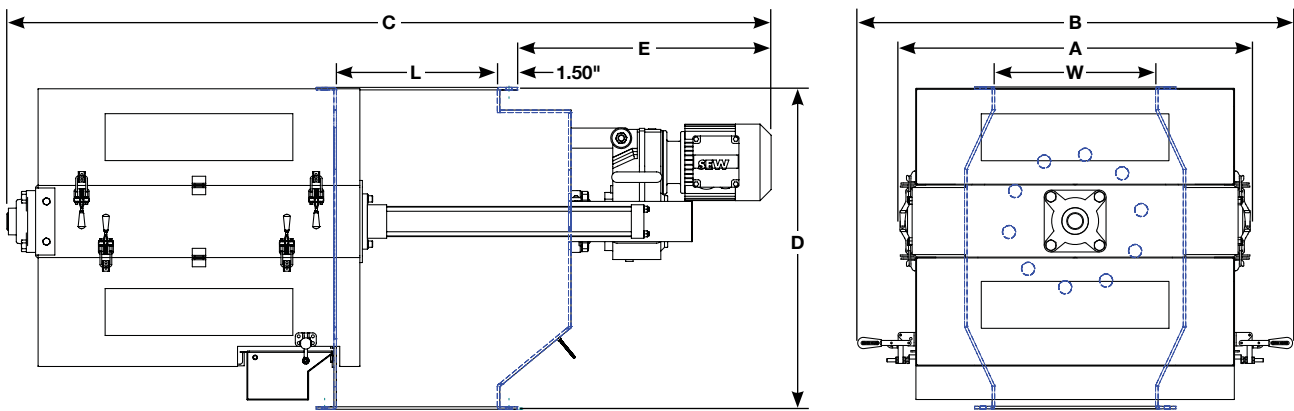
ROTODRAWER™ (SIMPLECLEAN™) DIMENSIONS:



| Standard Part No. | Inlet I.D. (L x W) | A | B | C | D | Drawer Clearance | | # Of Tubes | Tube Circle Dia. | Motor HP |
|-------------------|--------------------|-------|-------|-------|-------|------------------|-------|------------|------------------|----------|
| | | | | | | E | F | | | |
| RDH0808R | 8.00 x 8.00 | 20.75 | 45.50 | 19.00 | 19.50 | 1.00 | 7.25 | 10 | 10.00 | 0.50 |
| RDH1010R | 10.00 x 10.00 | 20.75 | 47.50 | 19.00 | 19.50 | 3.00 | 9.25 | 10 | 10.00 | 0.50 |
| RDH1212R | 12.00 x 12.00 | 20.75 | 49.50 | 19.00 | 19.50 | 5.00 | 11.25 | 10 | 10.00 | 0.50 |

Note: All dimensions are stated in inches

ROTODRAWER™ (SELF-CLEAN) DIMENSIONS:



| Standard Part No. | Inlet I.D. (L x W) | A | B | C | D | E | # Of Tubes | Tube Circle Dia. | Motor HP | Cylinder Bore |
|-------------------|--------------------|-------|-------|-------|-------|-------|------------|------------------|----------|---------------|
| RDH0808RSC | 8.00 x 8.00 | 27.12 | 33.50 | 49.00 | 24.00 | 19.00 | 10 | 10.00 | 0.50 | 2.50 |
| RDH1010RSC | 10.00 x 10.00 | 27.12 | 33.50 | 53.00 | 24.00 | 19.00 | 10 | 10.00 | 0.50 | 2.50 |
| RDH1212RSC | 12.00 x 12.00 | 27.12 | 33.50 | 57.00 | 24.00 | 19.00 | 10 | 10.00 | 0.50 | 2.50 |
| RDH1414RSC | 14.00 x 14.00 | 34.00 | 39.50 | 63.00 | 30.00 | 21.00 | 16 | 16.00 | 1.00 | 3.25 |
| RDH1616RSC | 16.00 x 16.00 | 34.00 | 39.50 | 67.00 | 30.00 | 21.00 | 16 | 16.00 | 1.00 | 3.25 |
| RDH1818RSC | 18.00 x 18.00 | 34.00 | 39.50 | 71.00 | 30.00 | 21.00 | 16 | 16.00 | 1.00 | 3.25 |

Note: All dimensions are stated in inches