



PLATE STYLE MAGNETIC SEPARATORS

PLATE MAGNETS FOR ANGLE CHUTE APPLICATIONS

Our high intensity plate magnets feature durable welded stainless steel construction and heavy duty hinges for easy cleaning. Ideal for separation applications of large ferrous particles such as nails, bolts, washers, etc that can cause damage to processing equipment or fine ferrous particles such as metal filings, shavings, metal wear residue, work hardened stainless steel, etc. that may contaminate product.

Flush Face (FF):

Plate Magnets are designed for above-the-flow applications. The Flush Face model is available in Ceramic and Rare Earth designs to lift ferrous metal out of the product flow, protecting downstream processing equipment and product purity.

Exposed Pole (EP):

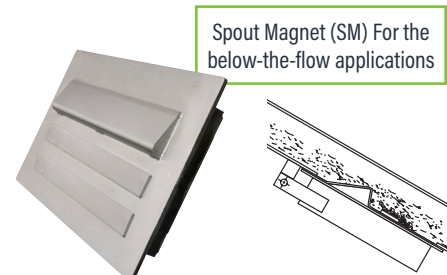
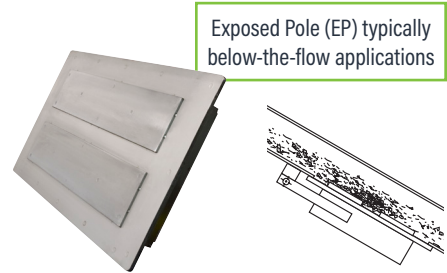
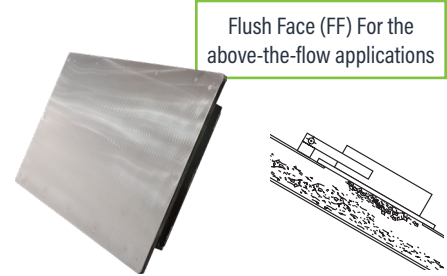
Plate Magnets are designed for below-the-flow applications. The two 400 series (magnetic stainless steel) exposed poles provide added protection from wash-off without impeding the product flow. Exposed Pole models are ideal for low volume chute installations with either Ceramic or Rare Earth magnetic circuits.

Spout Style (SM):

Plate Magnets feature a diverter to provide maximum tramp metal separation and superior wash-off protection for high volume below-the-flow applications. The diverter and 400 series (magnetic stainless steel) exposed poles provide added protection from collected metal wash-off and product degradation without impeding the product flow. Several strengths are available in Ceramic and Rare Earth designs to meet the requirements of difficult applications.

Granulator Plate Magnet (GPM):

Ideal for installation in your granulator's feed tray, and are an economical way to prevent tramp metal from damaging your equipment and contaminating your product. Low profile design for smooth flow over the magnet face. Stainless steel housing with 400 series stainless steel magnetic poles.



OPTIONS:

- » Rare Earth, 52 MGOe Material
- » Ceramic, Grade 8 Magnet
- » High Temp 356°F Magnet Available
- » Custom designs and mounting
- » Clamping, lifting and counterweight devices
- » Food Grade or Sanitary Finish
- » Wear resistance treatments
- » EZ-Clean or Self-Cleaning models available
- » Extended Length Multi-Pole for High-Speed Applications

TOLL FREE **1.888.582.0821** imi@magnetics.com

HAACP International Certified and USDA AMS Accepted Equipment.



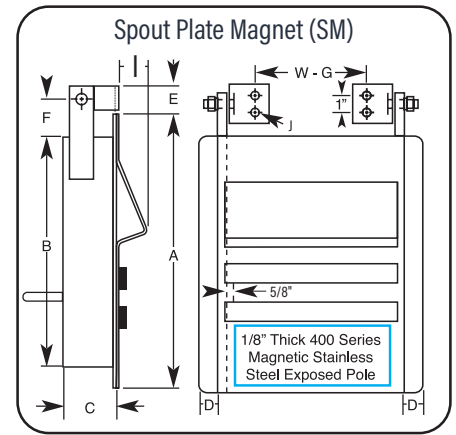
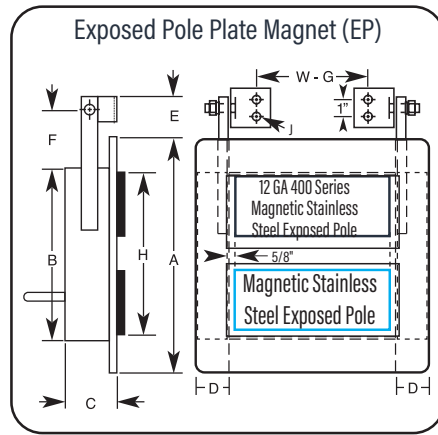
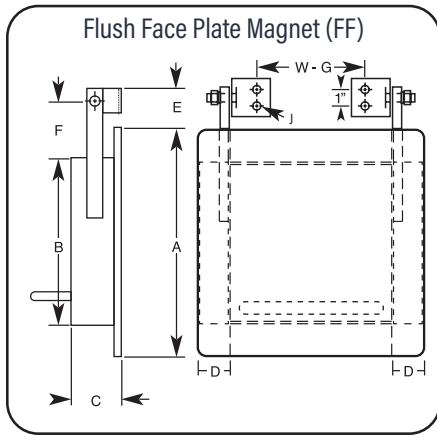
Our **Sanitary Grade Exposed Pole Plate Magnets** are certified by HAACP International and fully conform to HACCP International's Food Safety Standard (0909MAGSEP 1-2010) for direct contact with food product.



Our **Sanitary Grade Exposed Pole Plate Magnets** are USDA AMS accepted Dairy, Meat and Poultry magnetic separator processing equipment.



Standard Plate Magnet (FF, EP, and SM) Specifications



Ceramic Plate Magnet Dimensions

FLUSH FACE	EXPOSED POLE	SPOUT MAGNET	REACH-OUT (IN.)	DIMENSIONS (INCHES)								EP ONLY		SM ONLY		APPROX. WT. PER INCH OF WIDTH(W)	MAGNET CAPACITY
				A	B	C	D	E	F	G	H	I	J				
FF	EP	SM	2	9.38	7.38	1.45	1.0	1.19	1.81	0.90	5.63	0.61	0.25	2.38 Lbs./In.	Magnet Width (W) x 166.75 = CF/H		
FF	EP	SM	4	13.13	11.13	2.70	1.0	2.75	2.75	2.25	4.56	1.25	0.5	7.20 Lbs./In.	Magnet Width (W) x 333.50 = CF/H		
FF	EP	SM	6	17.13	15.13	4.20	1.0	2.75	2.75	2.25	13.38	1.25	0.5	13.06 Lbs./In.	Magnet Width (W) x 500.00 = CF/H		
FF	EP	SM	8	22.38	20.38	8.38	1.0	2.75	2.75	2.25	18.63	1.25	0.5	32.33 Lbs./In.	Magnet Width (W) x 667.00 = CF/H		

Rare Earth Plate Magnet Dimensions

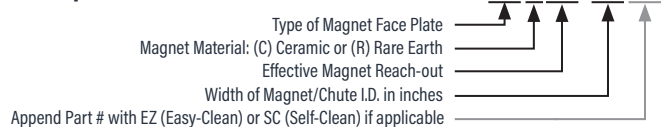
FLUSH FACE	EXPOSED POLE	SPOUT MAGNET	REACH-OUT (IN.)	DIMENSIONS (INCHES)								EP ONLY		SM ONLY		APPROX. WT. PER INCH OF WIDTH(W)	MAGNET CAPACITY
				A	B	C	D	E	F	G	H	I	J				
FF	EP	SM	3	8.00	6.00	1.28	1.0	1.19	1.81	0.90	4.25	0.68	0.25	2.04 Lbs./In.	Magnet Width (W) x 250.12 = CF/H		
FF	EP	SM	5	11.38	9.38	2.28	1.0	2.75	2.75	2.25	7.63	1.25	0.5	5.59 Lbs./In.	Magnet Width (W) x 416.87 = CF/H		

Notes:

1. EZ-Clean and Self-Clean models have lift lugs on the magnet back for handling.
2. Magnets with 2" & 3" Reach-Out have hinges with a single hole.
3. Maximum operating temperature: Rare Earth 180°F, Ceramic
4. $CF/H \times 0.02832 = \text{Capacity in Cubic Meters Per Hour}$

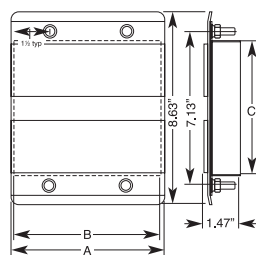
Plate Magnet Ordering Guide

Example (Exposed Pole, Ceramic, 6 in. Reach, 12 in. Wide):



Granulator Plate Magnet (GPM) Specifications Magnets

MODEL NO.	OVERALL WIDTH (A)	MAGNET WIDTH (B)	MAGNET LENGTH (C)
GPM0550	5.50"	5.10"	6.25"
GPM0750	7.50"	7.10"	6.25"
GPM0950	9.50"	9.2"	6.25"
GPM1150	11.50"	11.10"	6.25"
GPM1300	13.00"	12.60"	6.25"
GPM1500	15.00"	14.60"	6.25"
GPM1700	17.00"	16.60"	6.25"
GPM1900	19.00"	18.60"	6.25"
GPM2100	21.00"	20.60"	6.25"
GPM2300	23.00"	22.60"	6.25"



Granulator Plate Magnet mount with provided 4-20 stainless steel bolts and lock nuts. See manual for full installation instructions.

Chute Installation

Customer should install angles on chute to match flanges of the plate magnet. See manual for full installation instructions.

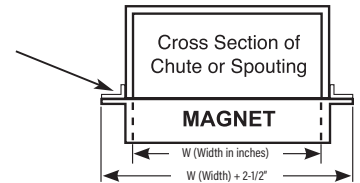


Plate-In-Chute Options (Hump Magnets)

Our plate magnets can be provided with engineered chutes to fit directly into your processing lines. Customer specified inlet and outlet requirements can be accommodated using custom designed housings, transitions, flanges and more. See **Tech Sheet TG-01B** for more details

