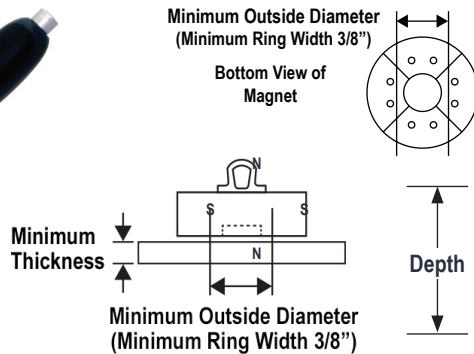


FX SERIES LIFTING MAGNETS

FXC PERMANENT LIFTING MAGNETS FOR FLAT, CIRCULAR PARTS

The FXC lift magnets have a round, multi-pole magnetic field designed for lifting flat, circular-shaped parts such as rings, sleeves, bearing housings, flange plates and end of billet/pipe/shaft pieces. The on/off handle only requires 90° rotation and locks at both on/off positions. Durable construction with metal name plates and corrosion-resistant plated magnet surface. Features a 3:1 design factor and meets 2018 ASME B30.20 BTH-1 Design Category B, Service Class 3.



Model No.	WLL		Min Thk (in)	Min Dia (in)	Overall		Depth		Magnet		Handle		Bail		
	LBS	KG			Ht. (in)	Dia. (in)	Ht. (in)	Ht. (in)	Dia. (in)	Ln. (in)	Th. (in)	Ht. (in)	Wd. (in)	Wt. (lbs)	
FXC0385	385	175	0.39	2.4	8.3	4.7	5	5.1	4.5	7.5	0.5	2	1.6	17	
FXC0550	550	250	0.47	3.3	9.5	6.3	5.8	5.7	6	7.5	0.6	2.4	2	33	
FXC0990	990	450	0.59	4.7	11.2	9.4	6.5	6.1	9.3	9	0.8	3	2.3	77	

NEO LIFT MAGNET



The NEO series On/Off Permanent Rare Earth lift magnets can be used on flat or round surfaces. They offer faster load handling than using slings, wire, rope, or other lifting methods. Ideal for use in fab shops, machine shops or anywhere heavy steel objects need to be moved quickly.



The locking handle prevents unintentional operation and requires the operator to have "hands-on" control during the On-Off sequence.

FEATURES:

- » On/Off Rare Earth Permanent Magnet
- » Handle locks in both On and Off positions
- » Lift flat and round loads
- » Heat resistant up to 180° (82°C)
- » 3:1 Design Factor
- » ASME B30.20 BTH-1 Design Category B Service Class 3

Rated Lift* (lbs)							
Plate	Rounds	Overall Height	Overall Length	Overall Width	Weight (lbs)	Model No.	
330	143	4.7	3-5/8	2.3	6.6	NEO-150	
660	330	7.1	5-7/8	4	22	NEO-300	
1320	660	7.1	9-3/4	4.7	46	NEO-600	
2200	1100	9.5	12	5.8	88	NEO-1000	
4400	2200	10.7	18.8	6.5	198	NEO-2000	

*Performance ratings on AISI 1020 steel

SPREADER BEAMS

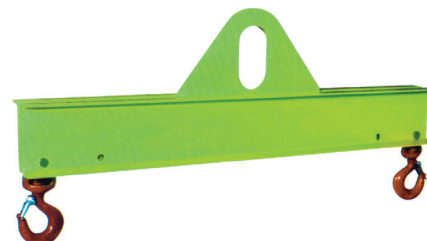


When lifting large steel shapes, such as off-center loads, round, rectangular or long items (I-beams), one lift magnet may not be enough. IMI's Spreader Beams allow two magnets to be used at one time with only one lifting source. Magnets on a Spreader Beam keep your product level, reducing the height required to lift the load, providing a safer lift environment while reducing the time needed to move the load.



SBI SERIES FEATURES:

- » Low cost spreader beams
- » One-piece construction
- » Fork lift pockets
- » Multiple spreads plus center hole



- » Beams 6' to 10' have 3 spreads
- » Swivel hooks with latches
- » Designed and manufactured to ASME B30.20